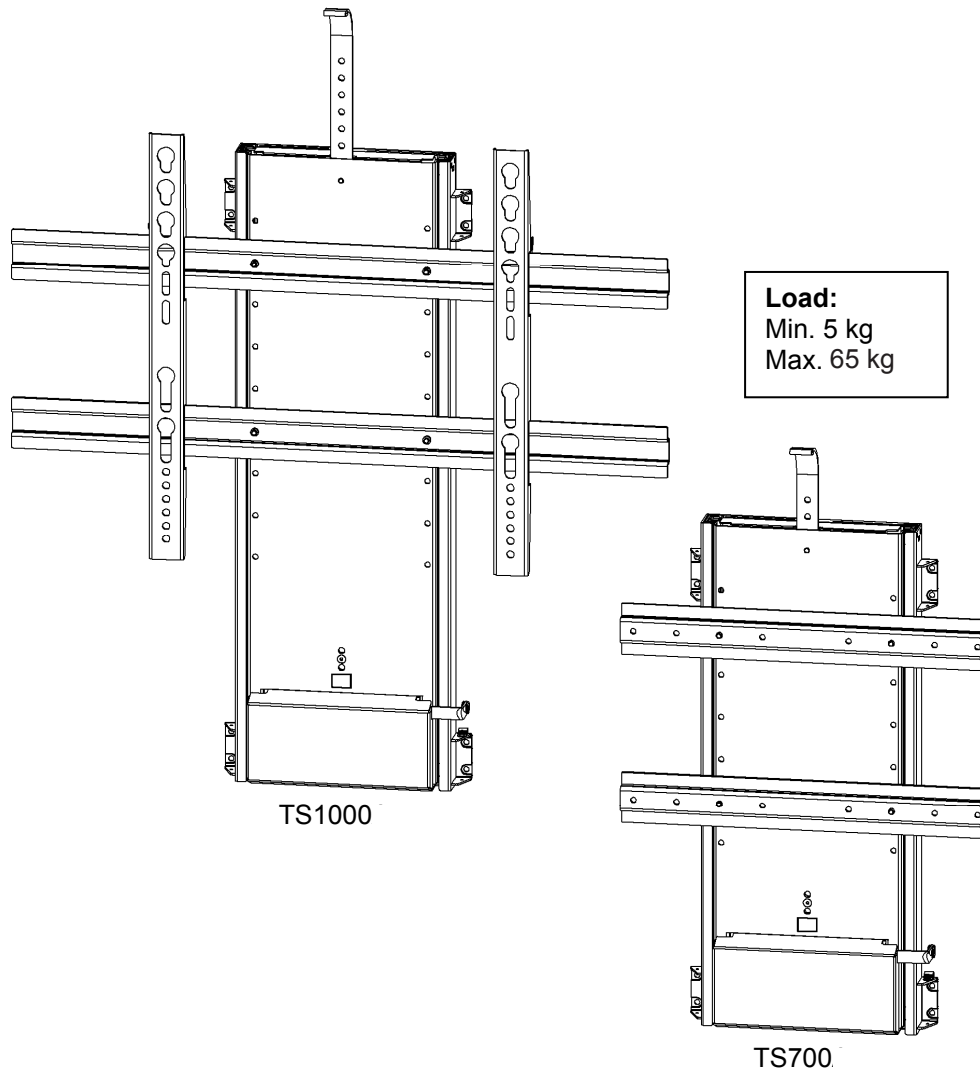


## Electric TV Lift: TS700 & TS1000



## INSTALLATION INSTRUCTIONS

### CONTENT:

1. Important safety instructions.
2. Specifications and main measures.
3. Parts included.
4. Installation.
5. Adjusting the stroke length of the lift.
6. Declaration of conformity.



### WARNING

**WARNING:** FAILURE TO COMPLY WITH OR OBSERVE ALL ASSEMBLY, SAFETY AND OPERATION INSTRUCTIONS AND WARNINGS REGARDING THE USE OF THIS PRODUCT MAY RESULT IN SERIOUS BODILY INJURY.

## Electric TV Lift: TS700 & TS1000

### 1. Important safety Instructions.

**CAUTION: Before you begin any of the Installation procedures (4. Installation.), read and follow the warnings and safety instructions on this page.**

**WARNING ! THIS IS NOT A TOY !**

**WARNING ! CHILDREN SHOULD NOT OPERATE LIFT OR  
REMOTE CONTROL !**

Use the following safety guidelines to help protect your lift from potential damage and to ensure your own personal safety.

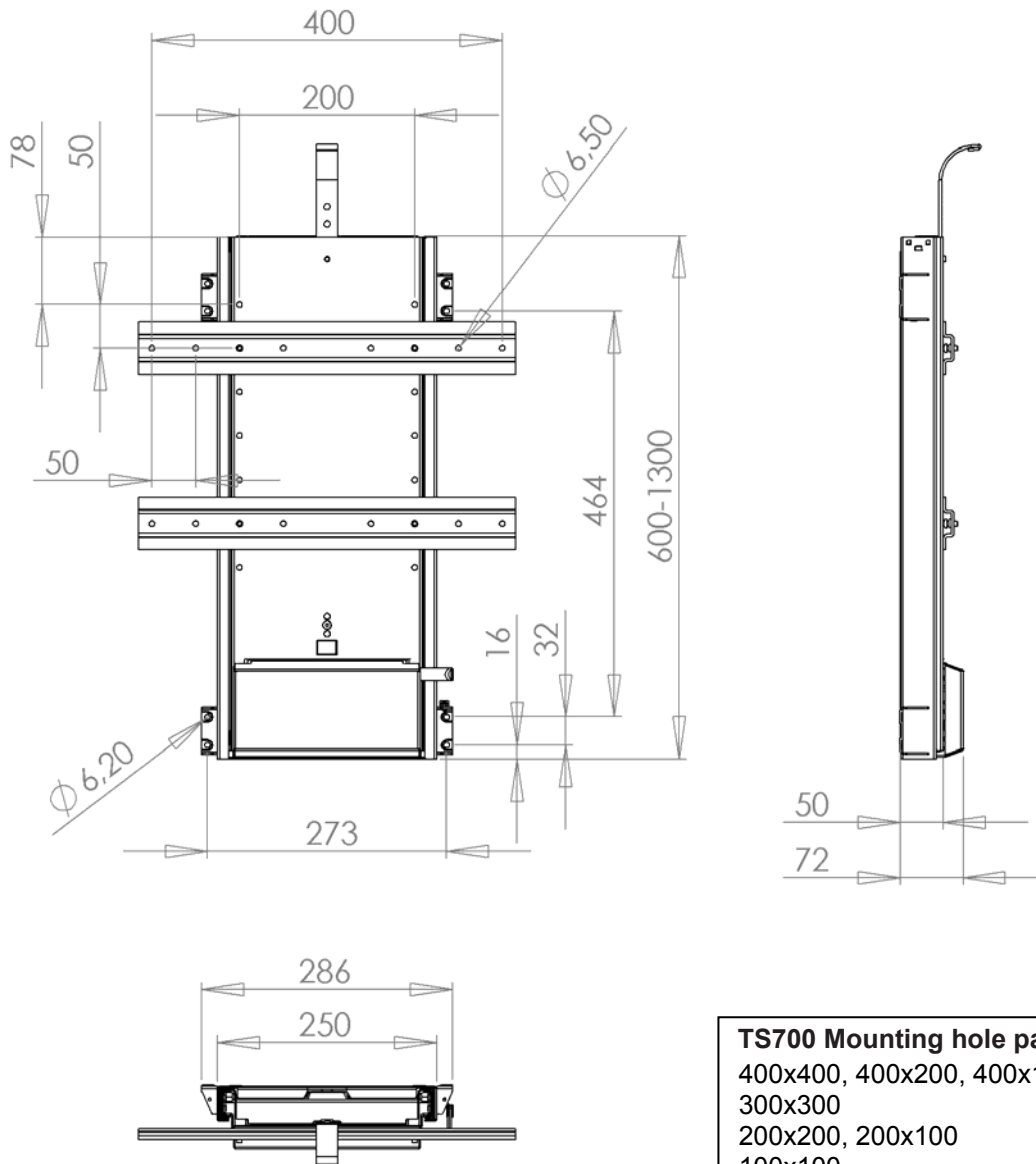
- Read all the installation instructions before testing or installing your lift.
- Read and follow all safety instructions.
- Keep remote control out of reach of children.
- To prevent bodily injury keep hands and clothing away from the lift while the lift is in operation.
- Before installing the lift or working with its connections, unplug the lift from the electrical shock.
- Do not install the lift, power supply or R.F. module in places subject to extreme temperatures for example near a radiator, or heating vent.
- The TV lift must only be mounted in a dry area and it must be ensured before use that the lift is safe or protected from liquid contact or spillage.
- To avoid damaging the power supply, R.F. module and power cord, do not put anything on it or place it where it could become damaged.
- Unplug the lift in the following conditions:
  - When the power cord or plug is damaged or frayed.
  - If liquid has spilled into the lift, power supply or RF module.
  - If the lift, power supply or RF module has been exposed to rain or water.
  - If the lift exhibits a distinct change in performance, indicating a need for servicing.
- MANUFACTURERS who build this Flat Lift into other products or use it with other products, MUST make sure to prevent bodily injury. The MANUFACTURER is responsible to give the end user proper warnings and instructions for use.

## Electric TV Lift: TS700 & TS1000

### 2. Specifications and main measures.

|                               |  |
|-------------------------------|--|
| <b>Materials and weights:</b> | Steel, black powder coated - Weight ~ 17/23 kg |
| <b>Min. Load on TV lift:</b>  | 5 kg   |
| <b>Max. Load on TV lift:</b>  | 65 kg  |
| <b>Operation:</b>             | Remote & Rocker switch                         |
| <b>Voltage:</b>               | 110-240 VAC / 50-60Hz                          |
| <b>Consumption:</b>           | 100 Watt max. by 80 kg                         |

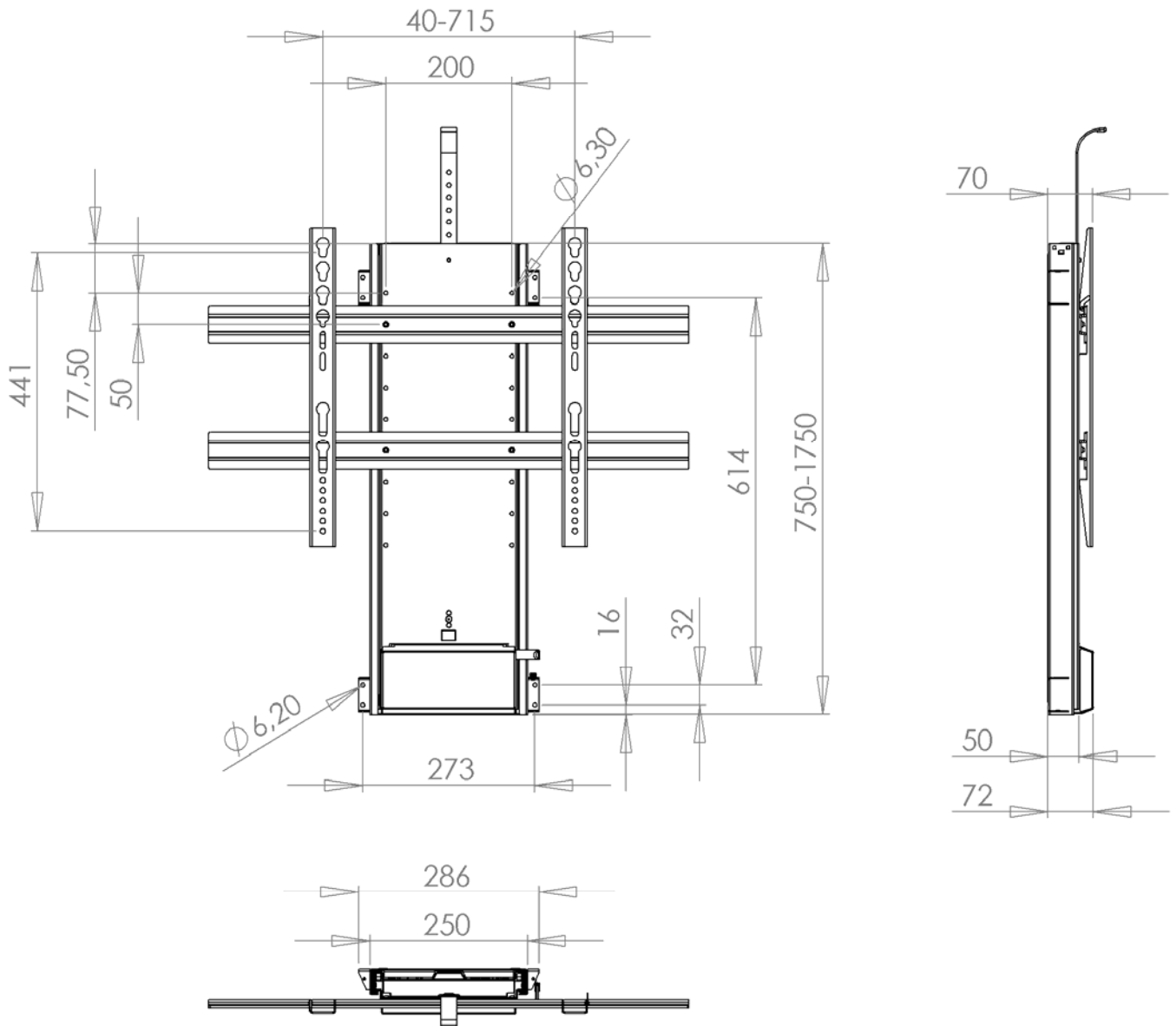
### Main measures, TS700 [mm]:



**TS700 Mounting hole patterns**  
 400x400, 400x200, 400x100  
 300x300  
 200x200, 200x100  
 100x100

**Electric TV Lift: TS700 & TS1000**

**Main measures, TS1000 [mm]:**



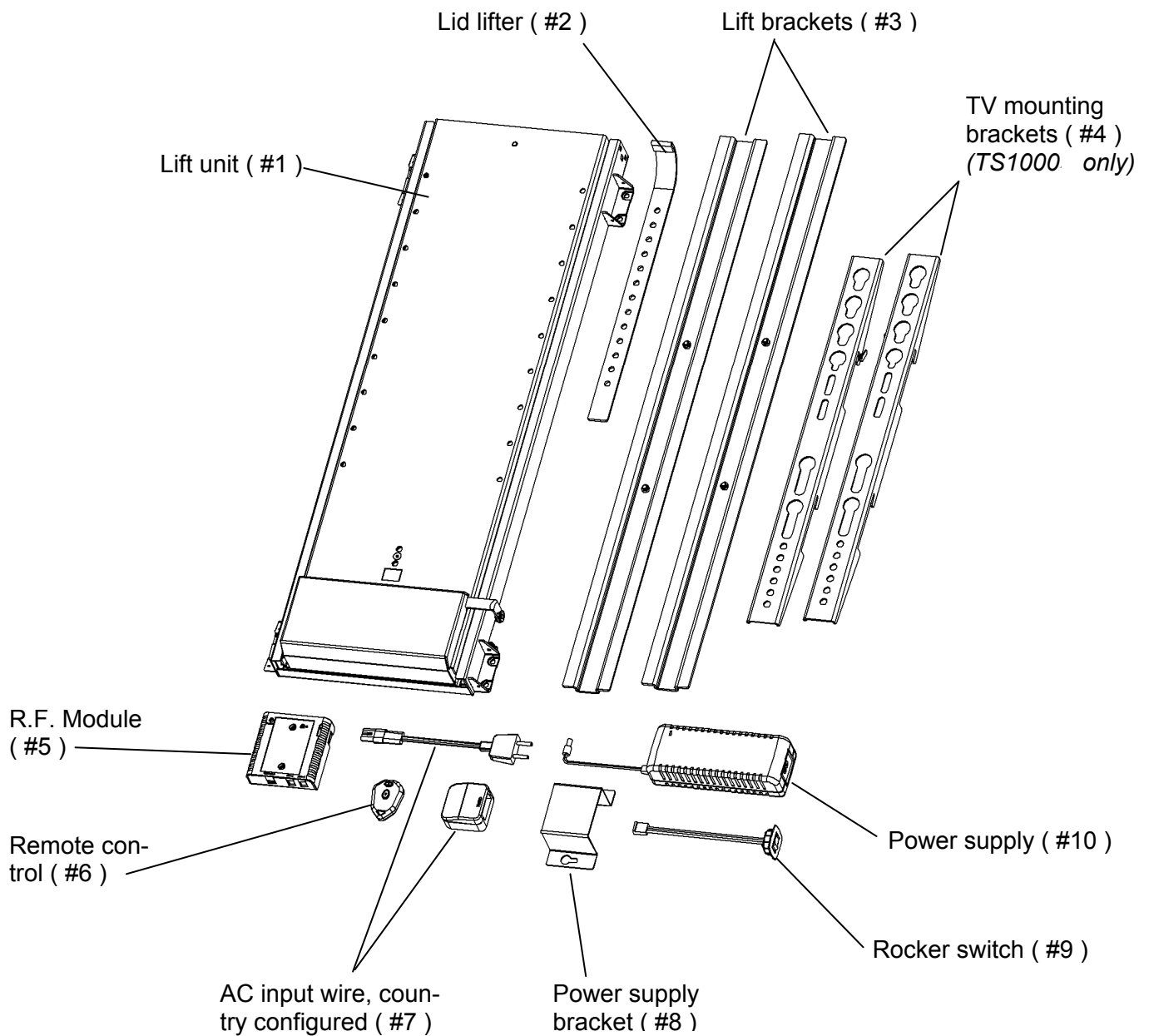
**TS1000 Mounting hole patterns**

- 600x400, 600x200, 600x100
- 400x400, 400x200, 400x100
- 300x300
- 200x200, 200x100

## Electric TV Lift: TS700 & TS1000

### 3. Parts included.

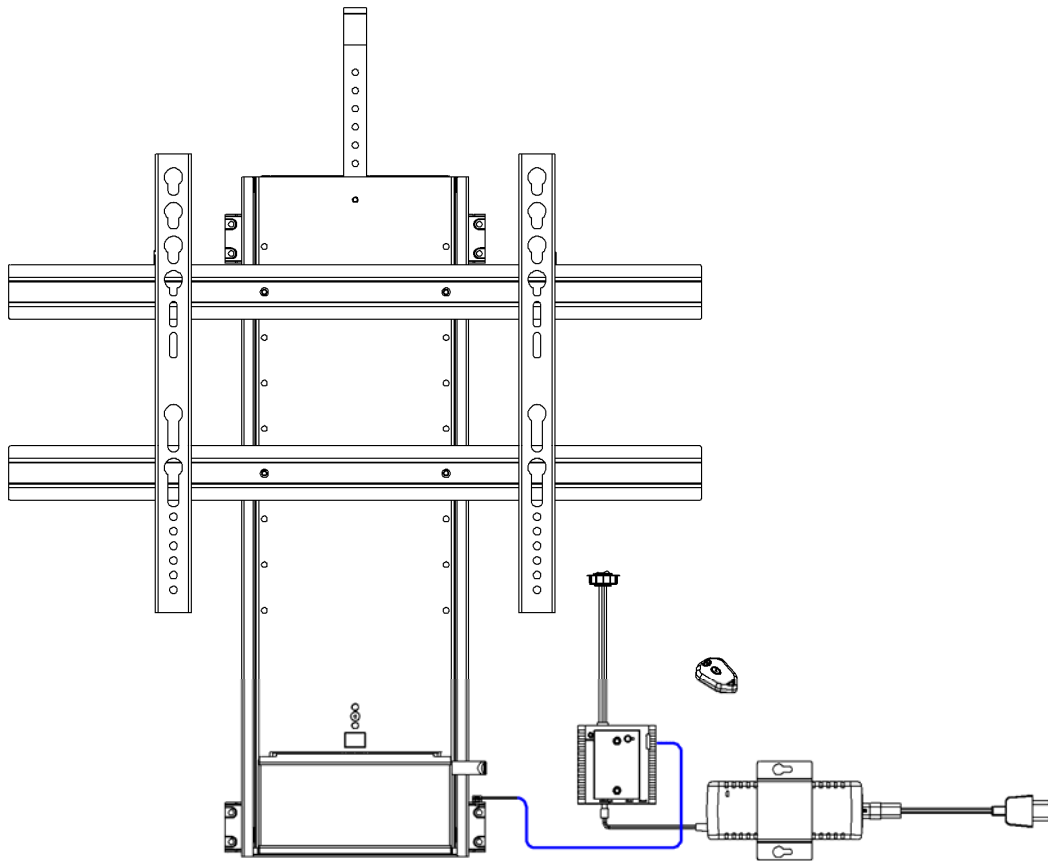
- Lift unit ( #1 )
- Lid lifter ( #2 )
- Lift brackets ( #3 )
- TV mounting brackets ( #4 ) (TS1000 only)
- R.F. Module ( #5 )
- Remote control ( #6 )
- AC input wire, country configured ( #7 )
- Power supply bracket ( #8 )
- Rocker switch ( #9 )
- Power supply ( #10 )



## Electric TV Lift: TS700 & TS1000

### 4. Installation.

- 1) Remove all contents from packaging and compare with parts list.
- 2) Place the lift unit (#1) on e.g. the back panel of cabinet in a location that will allow full up and down movement of the lift.
- 3) Fasten the unit securely to the cabinet. Screws must be appropriate for the material being used.
- 4) Connect the plugs from lift unit (#1) and power supply (#10) to R.F. Module (#5). Please also refer to the separate user instruction for the remote unit, next page.

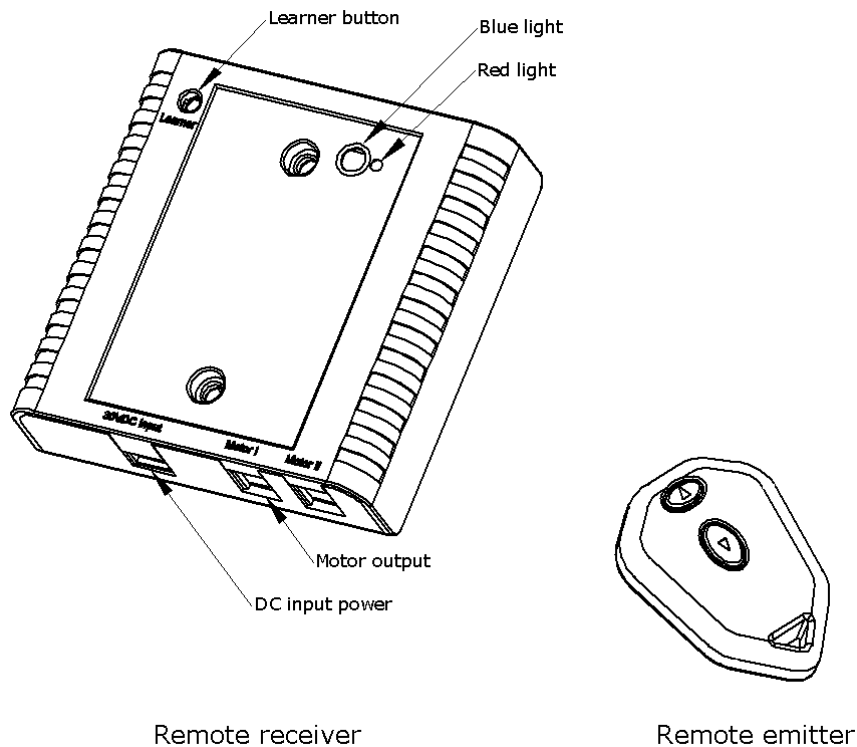


- 5) Mount rocker switch (#9) on wanted location by cutting a hole and pressing the switch into place. Secure excess wire to keep away from moving parts.
- 6) Plug the power cord into wall outlet and test the lift. If the unit doesn't work, check all connections and retry.

**Helpful hint:** Mount TV lift and electronics to plywood panel and attach to inside back of cabinet using appropriate number of screws. This allows all components to be removed from the cabinet if necessary. If this is not possible, create an access panel to the electronics.

## Electric TV Lift: TS700 & TS1000

### User instruction, RF remote system



### Installation

- connect the power supply and the motor unit to the remote receiver. 2 different plug sizes make this connection only possible to make in the right way
- after having connected the plugs, the blue light will be lightning
- push the emitter buttons and the motor unit will move up and down
- for stopping the motion one of the buttons need to be pushed

### Learning

- if the remote receiver do not respond when pushing the emitter buttons, reset the receiver. After that, code the emitter and receiver together again

### Coding

- push the learner button on the receiver for less than 1 sec.
- push one of the emitter buttons
- the red light will start flashing
- push one of the emitter buttons again and the red light will turn off
- the units now are coded together with a unique code

### Reset

- push and hold down the learner button on the receiver for 10 sec. (will be reset when the red light turns off).

## Electric TV Lift: TS700 & TS1000

### External rocker switch

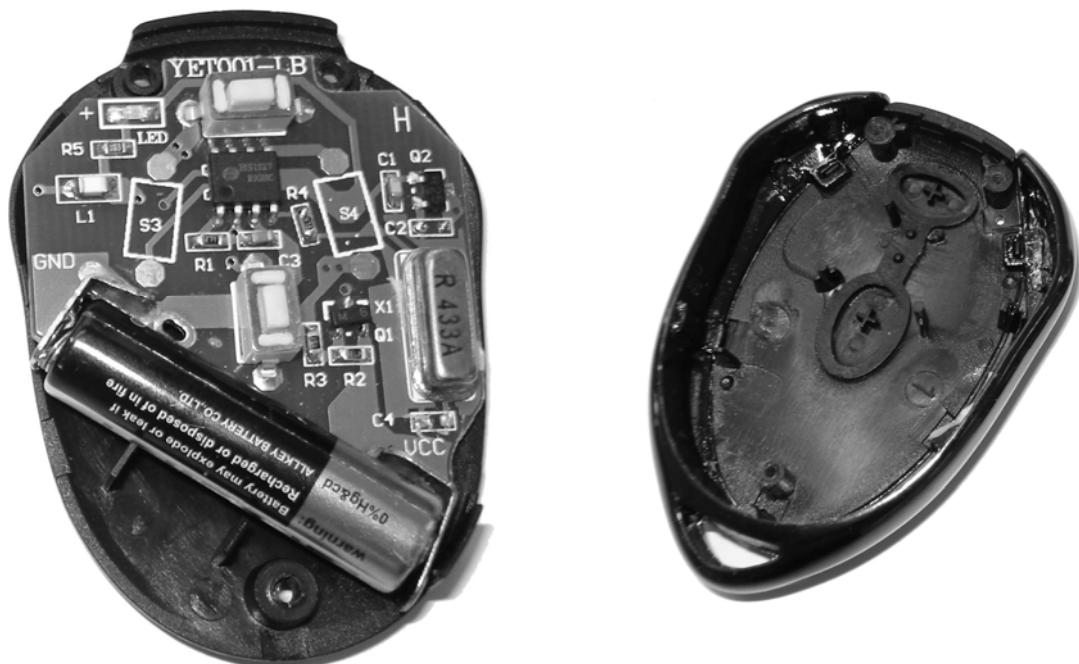
- the external rocker switch can be connected to the receiver, if a fixed operation unit is required.

### Trouble shooting

- check the plug connections
- check whether the blue light is on
- reset the receiver and make a new coding

### Change of battery in emitter (type 27A/12V)

- remove lid on back side
- lift up battery
- place new battery



### FCC Statement

This device complies with Part 15 of the FCC rules. Operation is subject to the following two conditions; 1) This device may not cause any harmful interference and 2) This device must accept any interference received, including interference that may cause undesired operation.

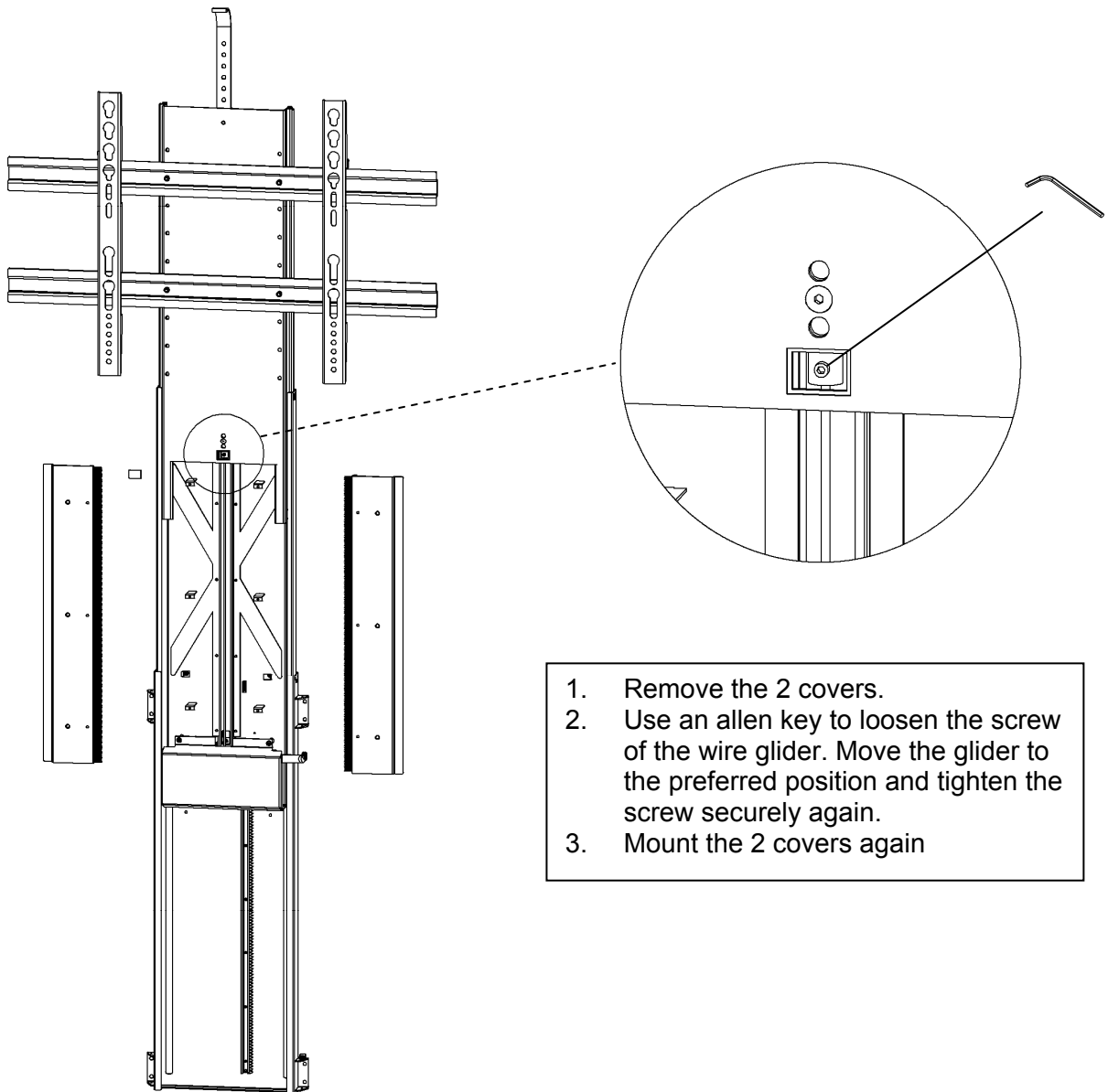


## Electric TV Lift: TS700 & TS1000

### 5. Adjusting the stroke length of the lift.

#### **Adjusting the bottom stop:**

The bottom stop can be adjusted to any preferred height, e.g. if you don't want the lift to go all the way down into the cabinet.



## Electric TV Lift: TS700 & TS1000

### Adjusting the top stop:

The top stop can be adjusted to any preferred height, e.g. if you don't want the lift to go all the way out of the cabinet.

