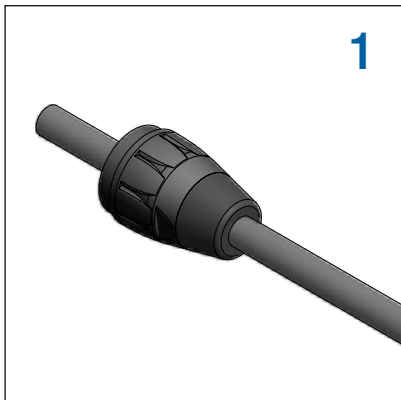
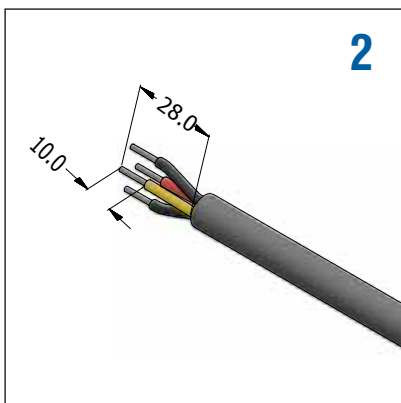


PI 1070 ASSEMBLY INSTRUCTIONS

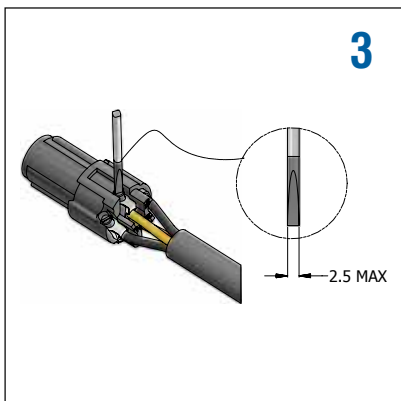
SP SERIES CABLE CONNECTOR



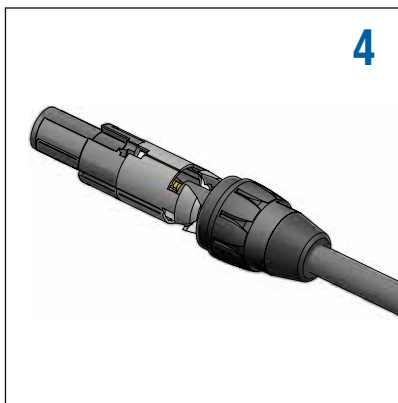
Slide the nut onto the cable



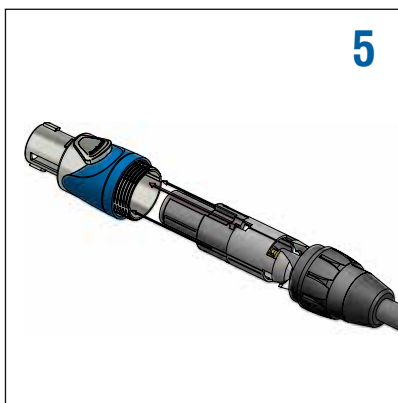
Strip the cable and twist the conductors.



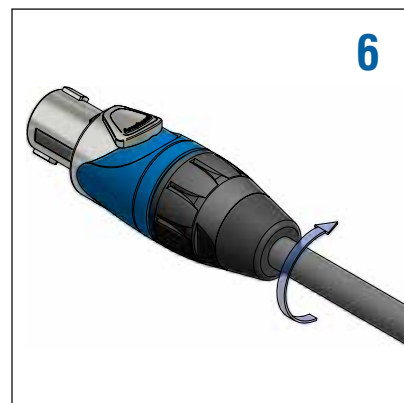
Insert the conductors into the rear of contacts on the insert. Tighten the screws to 0.35Nm (3.0 lb-in) using a flat screwdriver with tip width of 2.5mm max.



Install the cable clamp, flush to the insert making sure to align the slot as shown in the picture.



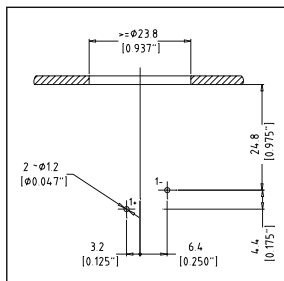
Orientate the insert and cable clamp as shown then push all together into the shell.



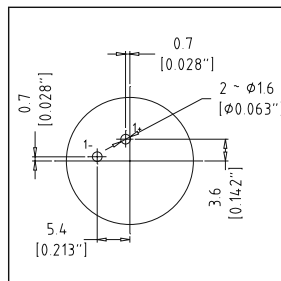
Thread the nut onto the shell to activate the cable clamp and close the connector assembly.

SP SERIES

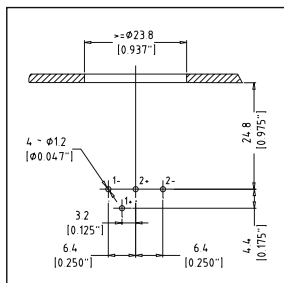
SP-2-MDH



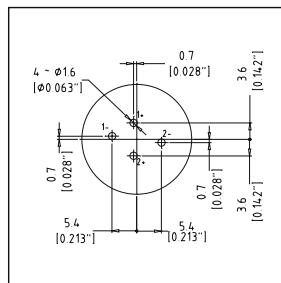
SP-2-MDV



SP-4-MDH
SP-4-MDHT-8
SP-4-MDHT

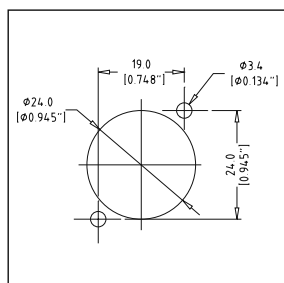


SP-4-MDV
SP-4-MDV-2
SP-4-MDVT-8



SP SERIES PANEL CUTOUT

SP-2-MD** *
SP-4-MD** *
_



SP-4-MC

