

R6400 / R6600 - Wall Mounts Racks

With their solid high end construction, the R6400 and R6600 Series are a high quality solution for all of your AV and IT requirements at an affordable cost.

Ideal for smaller installations or for house systems, these rack enclosures ally convenience and aesthetic with its multiple features and stylish finish.



Many Standard and Custom Colors



Vented Design

Designed with vents and hole patterns on the top to mount thermal management systems, as well as vents on top and base sides. It also comes with an optional vented front door.



Integrated Cable Management System

The R6400 & R6600 series comes standard with an integrated cable management bar to help you keep your installation nice and tidy.



Threaded Rack Rails

No more clip nuts. All our racks come with threaded rack rails marked units in order to ease the installation of any of equipment. Available with M6 or 10/32 threads.



Adjustable Mounting Depth

The adjustable front and rear rack strips allow to change the mounting depth of the enclosure in order to adapt to any type of material.



Removable Side Panels

The R6400 & R6600 series comes with removable side panels with an easy slam lock opening and closing system.



Lockable Door and Side Panels

The front door comes with a key lock system to avail any unwanted tempering. Optional side panels key locks also available.



1U Knockout Panels

Several 1U knockout panels on the top, base and bottom of the rack for cable managements or to set up fitted or patch panels.



Optional Castors and Adjustable Feet

An optional base with M8 threaded holes is available on the 12U and 18U versions in order to easily mount castors or adjustable feet on the R6400 & R6600 series enclosures.

| | |
|------------------------------|----------------------------|
| Available Unit Sizes: | 6U, 9U, 12U or 18U |
| Available Depths: | 400mm / 18" or 600mm / 24" |
| Width: | 600mm / 24" |

| | |
|-------------------------------|--------------------------------------|
| Available Front Doors: | Smoked polycarbonate or Vented steel |
| Load Capacity: | 60kg / 132lb |
| Mounting Bracket: | Included |

V4 - August 31, 2022

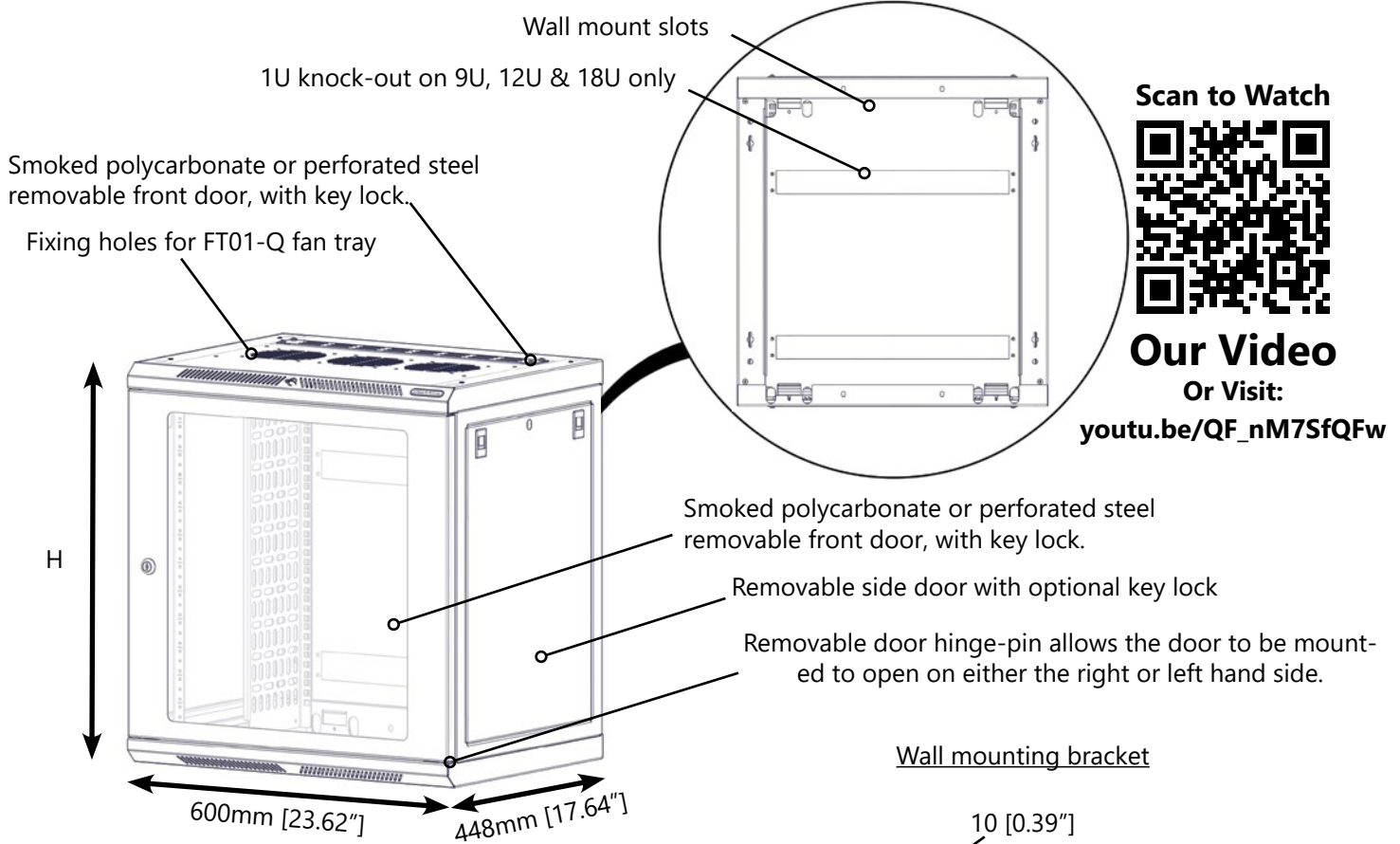
Web: www.penn-elcom.com
E-Mail: info@penn-elcom.com



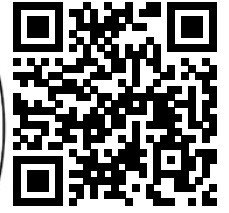
R6400 Series: 400mm / 18" Deep Wall Mounts Enclosures

| | Part No. | Rail Thread | Finish | Weight | Door Type | Rack Units | Height | | |
|--|---------------|-------------|--------|----------------|---------------|--------------|----------------|-----|----------------|
|  | R6406-M6 | M6 | Black | 21kg 46lb | Polycarbonate | 6U | 367mm 14.5" | | |
| | R6406-1032 | 10/32 | | | | | | | |
|  | R6406-W-M6 | M6 | White | | | | | | |
| | R6406-W-1032 | 10/32 | | | | | | | |
|  | R6406V-M6 | M6 | Black | 21kg 46lb | Vented steel | | | | |
| | R6406V-1032 | 10/32 | | | | | | | |
|  | R6406V-W-M6 | M6 | White | | | | | | |
| | R6406V-W-1032 | 10/32 | | | | | | | |
|  | R6409-M6 | M6 | Black | | | 25kg 55lb | Polycarbonate | 9U | 500mm 20" |
| | R6409-1032 | 10/32 | | | | | | | |
|  | R6409-W-M6 | M6 | White | | | | | | |
| | R6409-W-1032 | 10/32 | | | | | | | |
|  | R6409V-M6 | M6 | Black | 25kg 55lb | Vented steel | | | | |
| | R6409V-1032 | 10/32 | | | | | | | |
|  | R6409V-W-M6 | M6 | White | | | | | | |
| | R6409V-W-1032 | 10/32 | | | | | | | |
|  | R6412-M6 | M6 | Black | | | 28kg 62lb | Polycarbonate | 12U | 633mm 25" |
| | R6412-1032 | 10/32 | | | | | | | |
|  | R6412-W-M6 | M6 | White | | | | | | |
| | R6412-W-1032 | 10/32 | | | | | | | |
|  | R6412V-M6 | M6 | Black | 27.5kg 61lb | Vented steel | | | | |
| | R6412V-1032 | 10/32 | | | | | | | |
|  | R6412V-W-M6 | M6 | White | | | | | | |
| | R6412V-W-1032 | 10/32 | | | | | | | |
|  | R6418-M6 | M6 | Black | | | 34kg 75lb | Polycarbonate | 18U | 900mm 35.5" |
| | R6418-1032 | 10/32 | | | | | | | |
|  | R6418-W-M6 | M6 | White | | | | | | |
| | R6418-W-1032 | 10/32 | | | | | | | |
|  | R6418V-M6 | M6 | Black | 33kg 73lb | Vented steel | | | | |
| | R6418V-1032 | 10/32 | | | | | | | |
|  | R6418V-W-M6 | M6 | White | | | | | | |
| | R6418V-W-1032 | 10/32 | | | | | | | |

R6400 Series: 400mm / 18" Deep Wall Mounts Enclosures



Scan to Watch

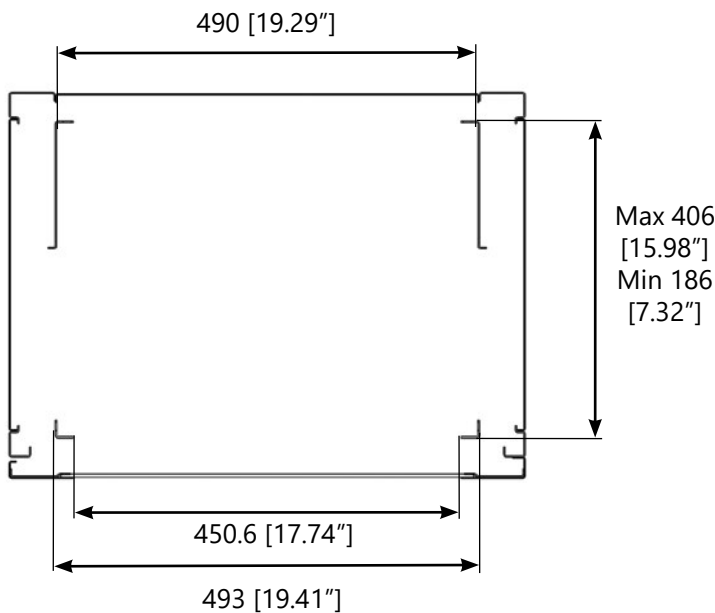
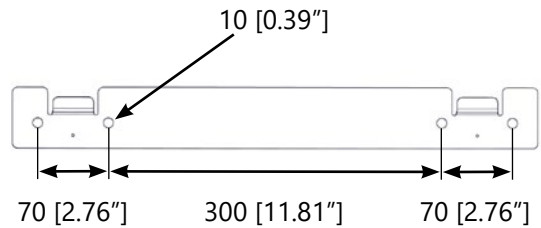


Our Video

Or Visit:

youtu.be/QF_nM7SfQFw

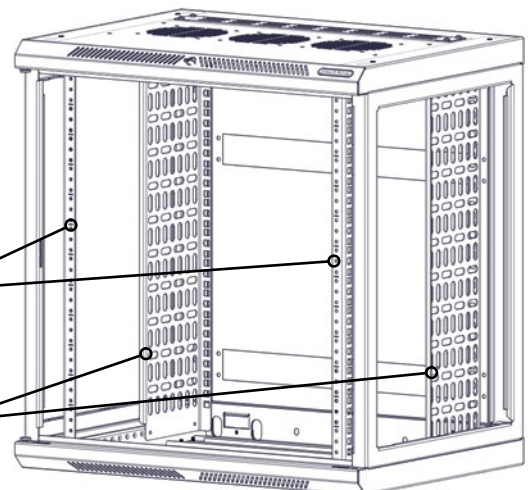
Wall mounting bracket




| Part No. | H |
|----------|----------------|
| R6406 | 366.7 [14.44"] |
| R6409 | 500 [19.68"] |
| R6412 | 633.4 [24.94"] |
| R6418 | 900 [35.43"] |

(Reversible, square or tapped hole) rack strips M6 Europe or 10-32 USA tapped

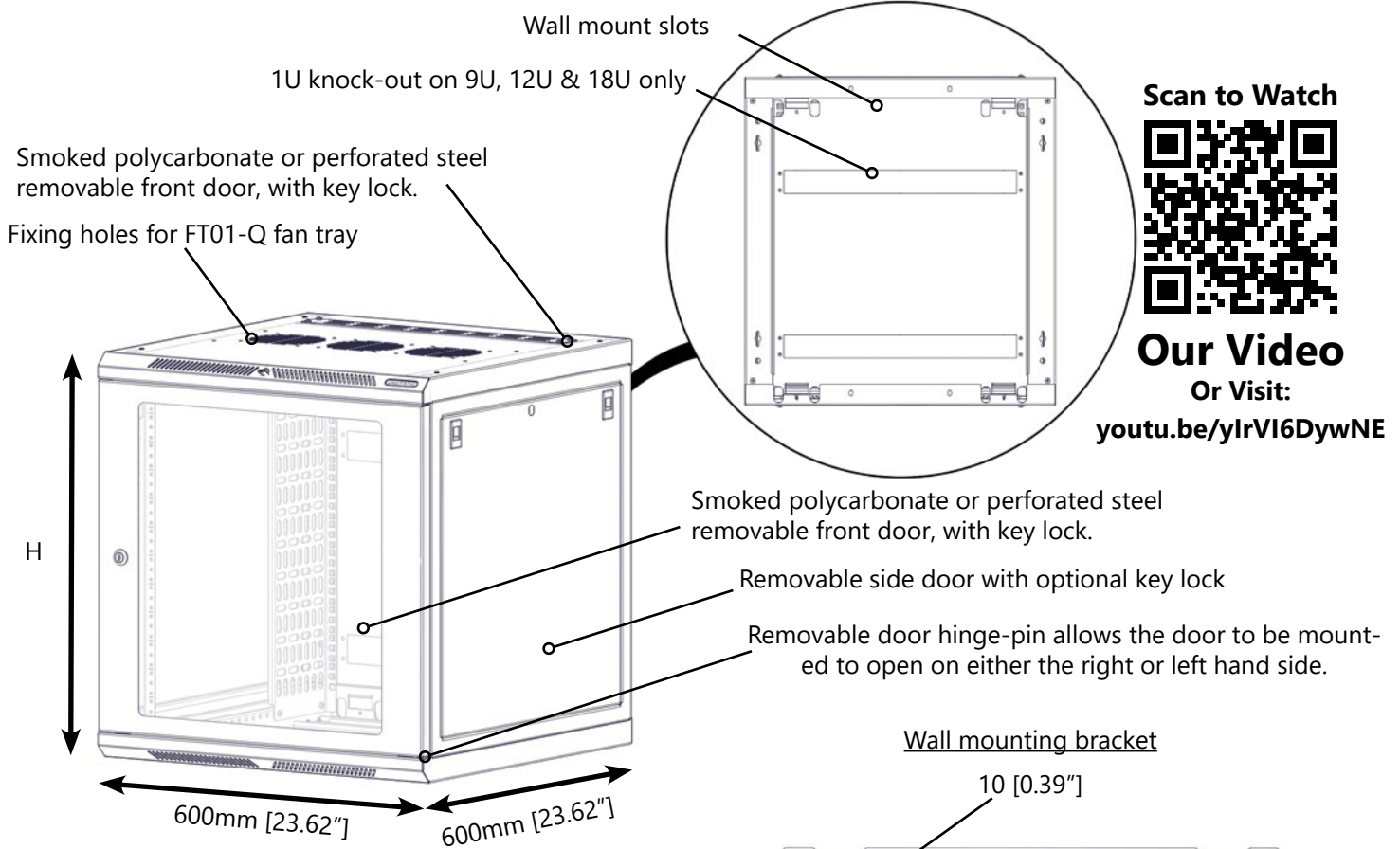
Adjustable rear rack strips with integral 150 [5.9"] cable tray



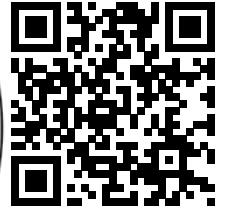
R6600 Series: 600mm / 24" Deep Wall Mounts Enclosures

| | Part No. | Rail Thread | Finish | Weight | Door Type | Rack Units | Height |
|--|---------------|-------------|--------|----------------|---------------|------------|----------------|
|  | R6606-M6 | M6 | Black | 25kg 55lb | Polycarbonate | 6U | 367mm 14.5" |
| | R6606-1032 | 10/32 | | | | | |
|  | R6606-W-M6 | M6 | White | 25kg 55lb | Polycarbonate | | |
| | R6606-W-1032 | 10/32 | | | | | |
|  | R6606V-M6 | M6 | Black | 25kg 55lb | Vented steel | | |
| | R6606V-1032 | 10/32 | | | | | |
|  | R6606V-W-M6 | M6 | White | 25kg 55lb | Vented steel | | |
| | R6606V-W-1032 | 10/32 | | | | | |
|  | R6609-M6 | M6 | Black | 28kg 62lb | Polycarbonate | 9U | 500mm 20" |
| | R6609-1032 | 10/32 | | | | | |
|  | R6609-W-M6 | M6 | White | 28kg 62lb | Polycarbonate | | |
| | R6609-W-1032 | 10/32 | | | | | |
|  | R6609V-M6 | M6 | Black | 28kg 62lb | Vented steel | | |
| | R6609V-1032 | 10/32 | | | | | |
|  | R6609V-W-M6 | M6 | White | 28kg 62lb | Vented steel | | |
| | R6609V-W-1032 | 10/32 | | | | | |
|  | R6612-M6 | M6 | Black | 31kg 68lb | Polycarbonate | 12U | 633mm 25" |
| | R6612-1032 | 10/32 | | | | | |
|  | R6612-W-M6 | M6 | White | 31kg 68lb | Polycarbonate | | |
| | R6612-W-1032 | 10/32 | | | | | |
|  | R6612V-M6 | M6 | Black | 30.5kg 67lb | Vented steel | | |
| | R6612V-1032 | 10/32 | | | | | |
|  | R6612V-W-M6 | M6 | White | 30.5kg 67lb | Vented steel | | |
| | R6612V-W-1032 | 10/32 | | | | | |
|  | R6618-M6 | M6 | Black | 36kg 79lb | Polycarbonate | 18U | 900mm 35.5" |
| | R6618-1032 | 10/32 | | | | | |
|  | R6618-W-M6 | M6 | White | 36kg 79lb | Polycarbonate | | |
| | R6618-W-1032 | 10/32 | | | | | |
|  | R6618V-M6 | M6 | Black | 35kg 77lb | Vented steel | | |
| | R6618V-1032 | 10/32 | | | | | |
|  | R6618V-W-M6 | M6 | White | 35kg 77lb | Vented steel | | |
| | R6618V-W-1032 | 10/32 | | | | | |

R6600 Series: 600mm / 24" Deep Wall Mounts Enclosures



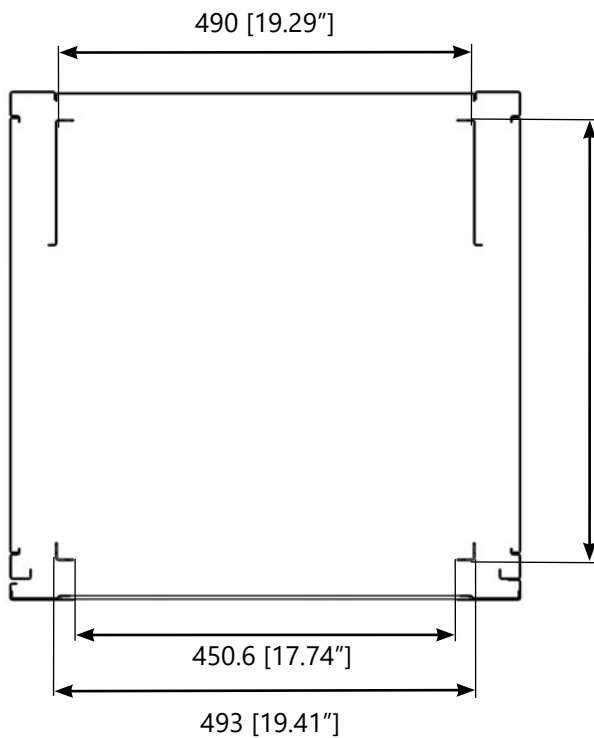
Scan to Watch



Our Video

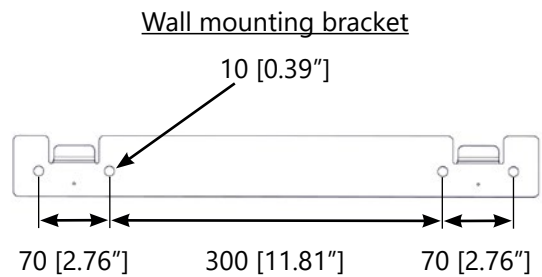
Or Visit:

youtu.be/yIrvI6DywNE



(Reversible, square or tapped hole) rack strips M6 Europe or 10-32 USA tapped

Adjustable rear rack strips with integral 150 [5.9"] cable tray



| Part No. | H |
|----------|----------------|
| R6606 | 366.7 [14.44"] |
| R6609 | 500 [19.68"] |
| R6612 | 633.4 [24.94"] |
| R6618 | 900 [35.43"] |

