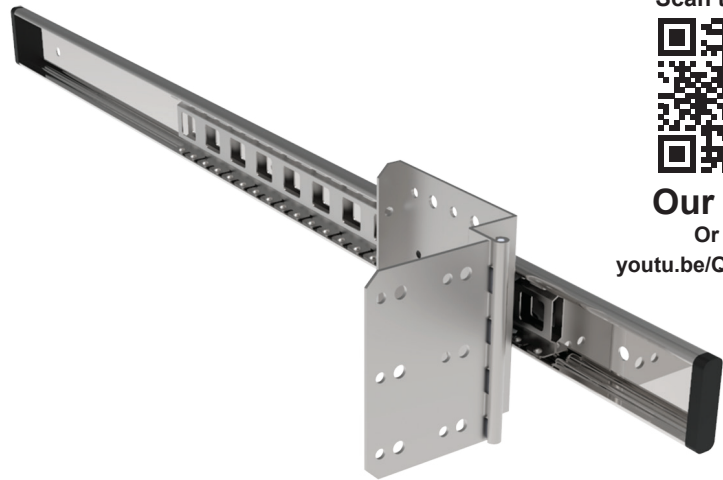


# R5033X - Door Hinge on Slide

*Door Hinge Mounted on Drawer Slide*  
*Slide for Rackmount Cases*



Scan to Watch



Our Video

Or Visit:

[youtu.be/QqOlbqcvow](https://youtu.be/QqOlbqcvow)

New door hinge mounted on a drawer slide that allows you to slide a pocket door within a rackmount case when in use.

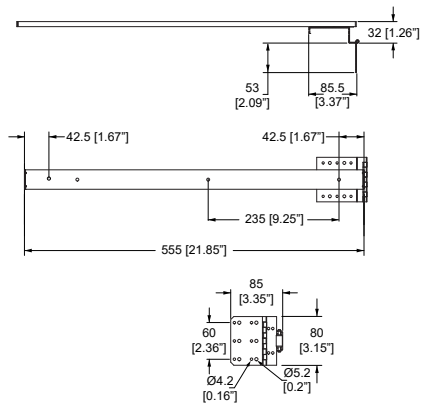
With a simple panel and a slam lock, you can easily create a door that can be hidden within the case when opened. The easiest way to build a shock mount rack case. For use with R8800 Anti-Vibration Rack Systems



## R50335

For use with 30mm / 1 3/16" extrusions:  
E0885, E2270, E2390, E2265, EG-0162, EG-0166, E0875, E6426 and E0876.

Perfect to build standard 600mm x 600mm / 23.5" x 23.5" shock mount rack cases



## R50338

For use with 35mm / 1.38" extrusions:  
3070, 3023, E2250 and E2255.

Perfect to build standard 600mm x 762mm / 23.5" x 30.00" shock-mount rack cases. Also comes in black. Part No. R50338K

