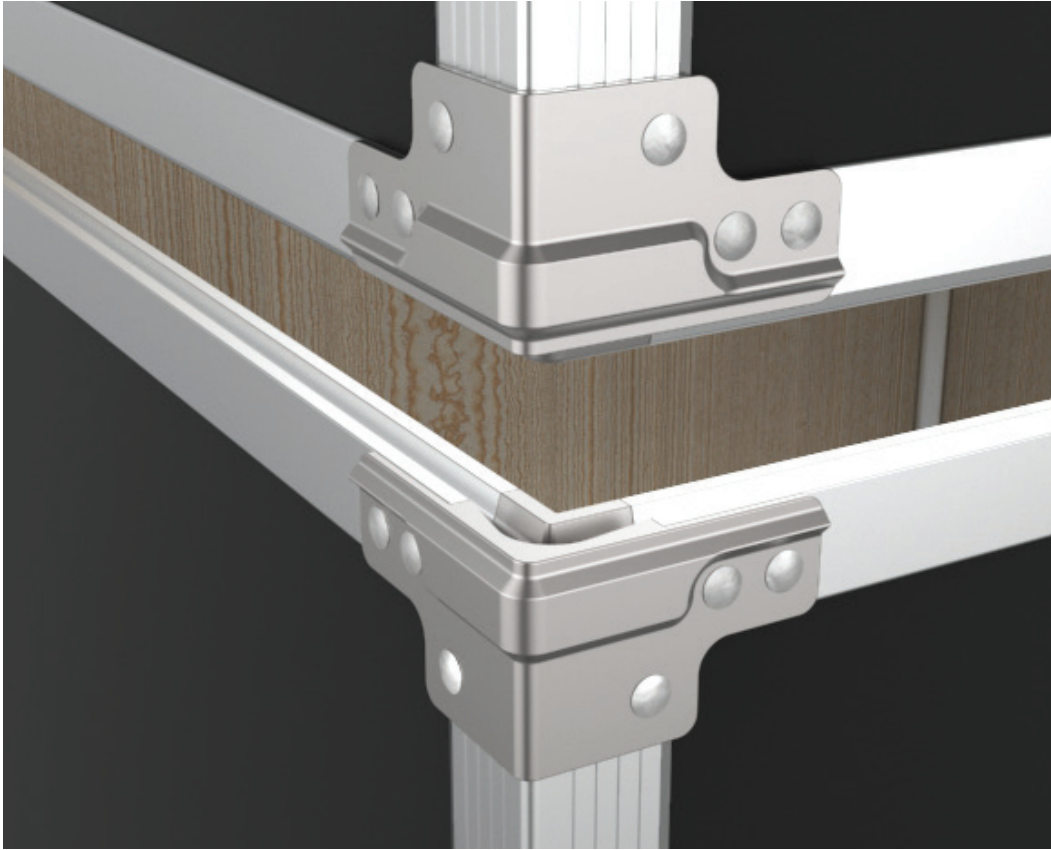


QuickClamp™ Corner Braces

Heavy duty corner braces
with QuickClamp™ system



Heavy duty die-cast corner braces with new QuickClamp™ interlocking system.

These interlocking corner braces create a seamless transition between the tongue and groove extrusion and the corner brace, effectively eliminating the need for costly miter cutting.

FW14 & FW14B QuickClamp™ for use with 3020 / 3022 Extrusion

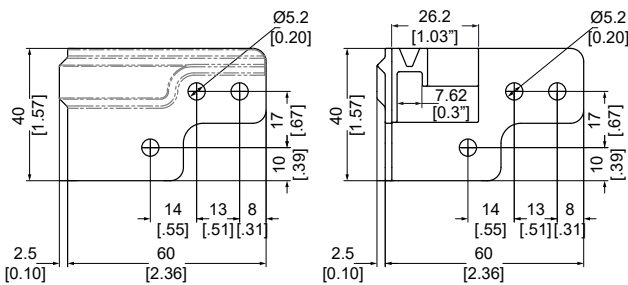


For 6mm / 1/4" Panels
(7.62mm / 0.3" slot)

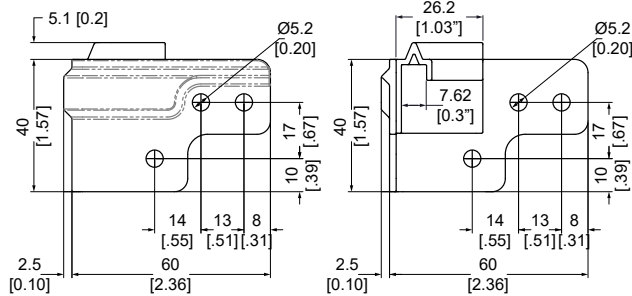
Female: FW14 QuickClamp™ with groove aligns with 3022 goove extrusion

Mates with;

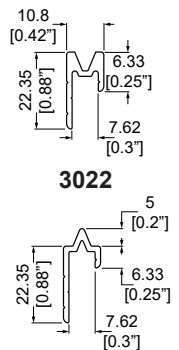
Male: FW14B QuickClamp™ with Tongue aligns with 3020 tongue extrusion



FW14 Female QuickClamp™ Brace Corner

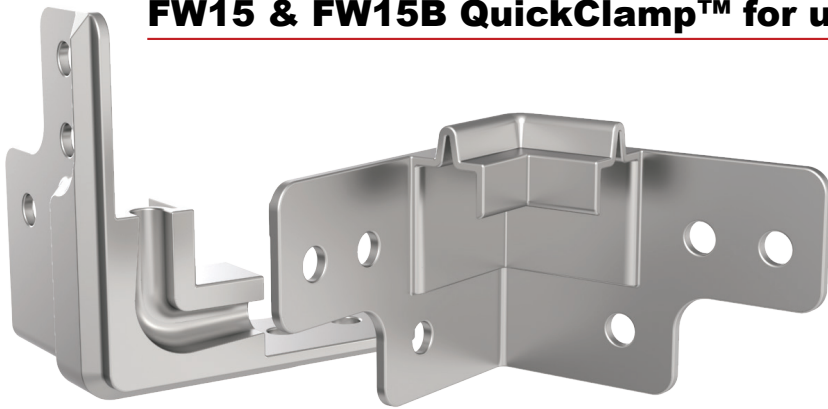


FW14B Male QuickClamp™ Brace Corner



3020

FW15 & FW15B QuickClamp™ for use with 3100 / 3103 Extrusion

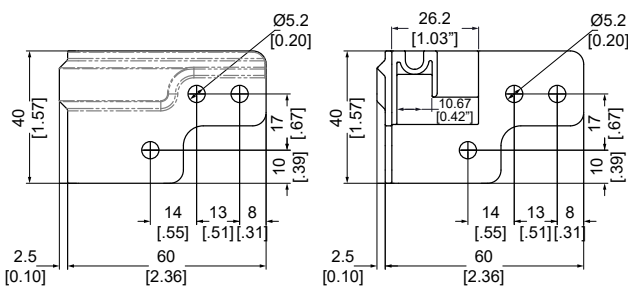


For 9mm / 3/8" Panels
(10.67mm / 0.42" slot)

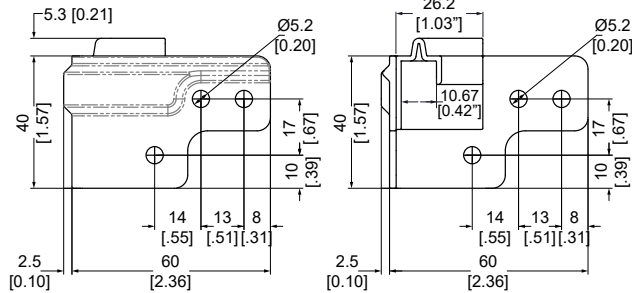
Female: FW15 QuickClamp™ with groove aligns with 3103 groove extrusion

Mates with;

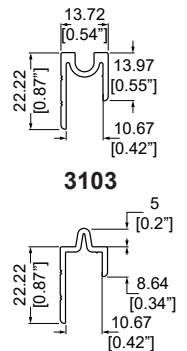
Male: FW15B QuickClamp™ with Tongue aligns with 3100 tongue extrusion



FW15 Female QuickClamp™ Brace Corner

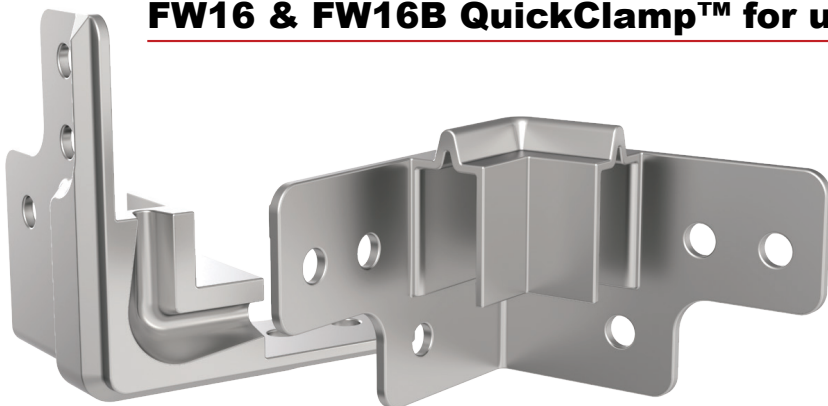


FW15B Male QuickClamp™ Brace Corner



3100

FW16 & FW16B QuickClamp™ for use with 3104 / 3105 Extrusion

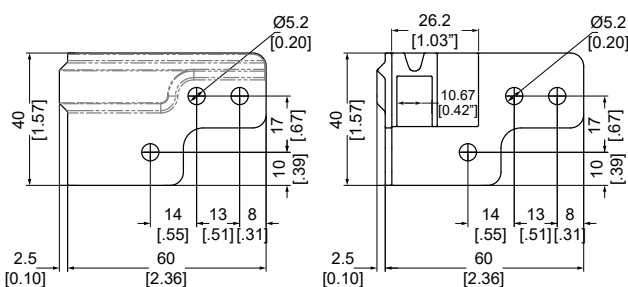


For 9mm / 3/8" Panels
(10.67mm / 0.42" slot)

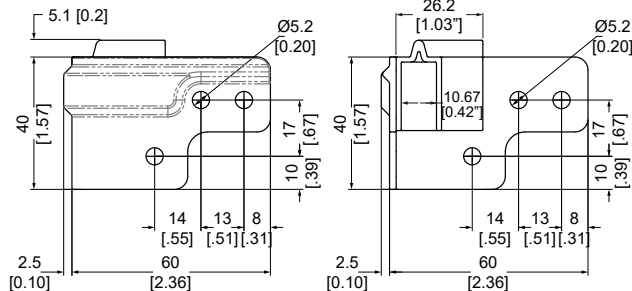
Female: FW16 QuickClamp™ with groove aligns with 3105 groove extrusion

Mates with;

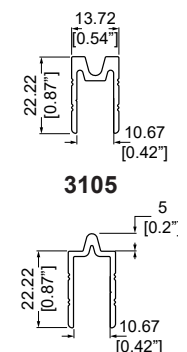
Male: FW16B QuickClamp™ with Tongue aligns with 3104 tongue extrusion



FW16 Female QuickClamp™ Brace Corner

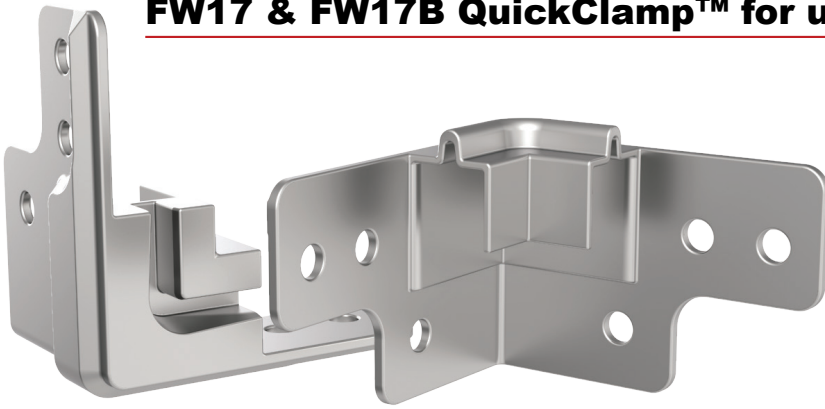


FW16B Male QuickClamp™ Brace Corner



3104

FW17 & FW17B QuickClamp™ for use with 3030 / 3032 Extrusion

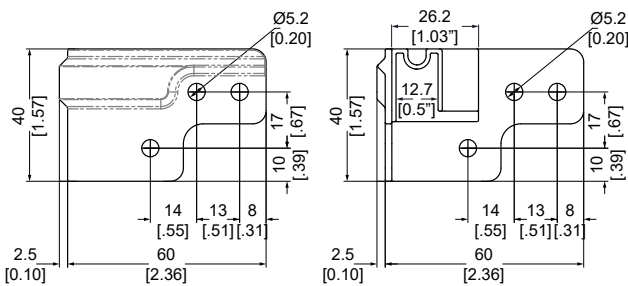


For 12mm / 1/2" Panels
(12.7mm / 0.5" slot)

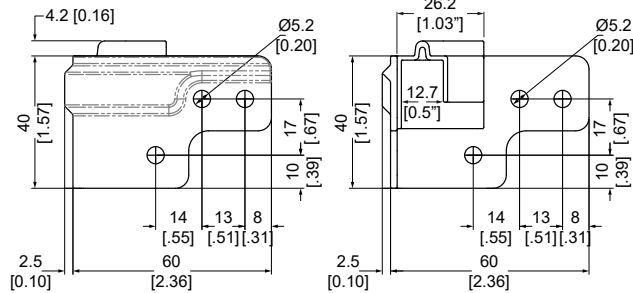
Female: FW17 QuickClamp™ with groove aligns with 3032 groove extrusion

Mates with;

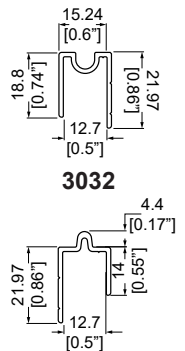
Male: FW17B QuickClamp™ with Tongue aligns with 3030 tongue extrusion



FW17 Female QuickClamp™ Brace Corner



FW17B Male QuickClamp™ Brace Corner



3032

3030

FW18 & FW18B QuickClamp™ for use with 3024 / 3025 Extrusion

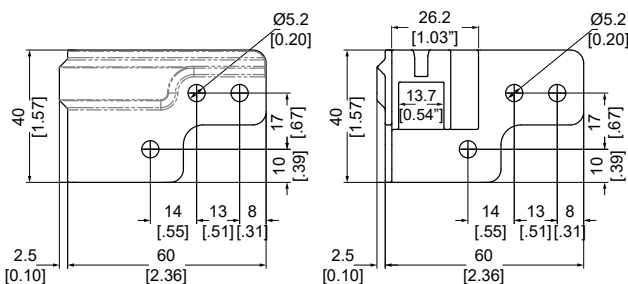


For 12mm / 1/2" Panels
(13.7mm / 0.54" slot)

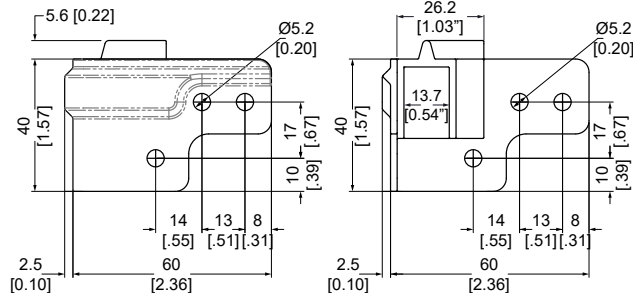
Female: FW18 QuickClamp™ with groove aligns with 3025 groove extrusion

Mates with;

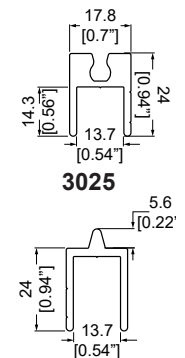
Male: FW18B QuickClamp™ with Tongue aligns with 3024 tongue extrusion



FW18 Female QuickClamp™ Brace Corner



FW18B Male QuickClamp™ Brace Corner



3025

3024