

# NEW SERIES 7 PALLET CUSHIONS



## CUSHION + SPACER = 102MM / 4"

The National Cargo Security Council (NCSC) estimates that the global financial impact of cargo loss exceeds \$50 billion annually. Amazon alone lost nearly \$7.2 billion on shipping in 2016.

Sensitive and valuable equipment can easily be damaged by shocks, drops, and impact during transit or handling.

Our Pallet Cushions are the most economical and reliable way to replace and upgrade wooden skid runners on pallet crates, eliminating the need for costly air-ride trucks, these air-dampened polyethylene cushions are easily attached to pallets or crates to provide a high level of protection from shock and vibration.

Don't risk shipment damage by shocks, drops, and impact during transit or handling.

### Easy to Install

- The pre-installed t-nut, with a 5/16"-18 UNC thread, protrudes out of the cushions for easy location into the mounting hole and fast installation. (Also available with an M8 threaded t-nut or without t-nut)
- The pallet cushions are mounted directly on a pallet or container base with a simple bolt.

### Reusable

- The pallet cushions can be easily removed and mounted again on another pallet.

### Simple and Practical

- Our Series 7 Pallet Cushions, once fitted with the 7228 Spacer, create a four-way 4" space under the pallet, which makes it easy to load and unload with a pallet jack and forklift.

### Textured Finish

- The Series 7 Pallet Cushions has a textured finish for a better grip.

### Resistant and Durable

- Our Pallet Cushions have been through rigorous stress tests. They can be dragged on concrete and joints for 3000 feet, at maximum load, with only minimal wear noted. Suitable for use between -104°F and +130°F (-40°C to + 54°C) and chemical resistant.

# WITH 5/16"-18 UNC THREADED T-NUT



**7035**

Load Rating: 9.1Kg - 15.9Kg  
T-Nut: 5/16"-18 UNC  
Color: Tan



**7050**

Load Rating: 13.6Kg - 22.7Kg  
T-Nut: 5/16"-18 UNC  
Color: Green



**7080**

Load Rating: 20.4Kg - 36.3Kg  
T-Nut: 5/16"-18 UNC  
Color: Yellow



**7125**

Load Rating: 31.8Kg - 56.7Kg  
T-Nut: 5/16"-18 UNC  
Color: Blue



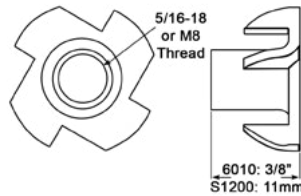
**7225**

Load Rating: 56.7Kg - 102Kg  
T-Nut: 5/16"-18 UNC  
Color: Orange



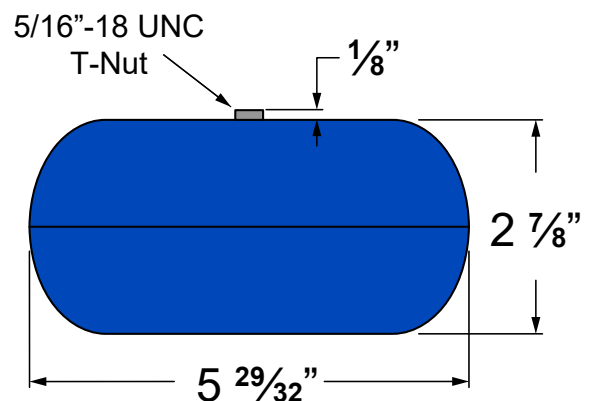
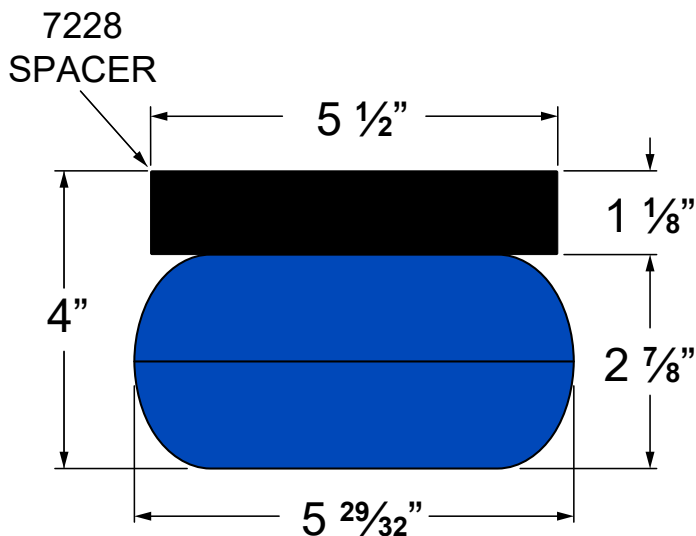
**7228**

Adds 28.6mm to the cushion's height and create a 102mm space



## Replacement T-Nuts

**6010 - 5/16"-18 UNC Threaded**



# WITH M8 THREADED T-NUT



## 7035-M8

Load Rating: 9.1Kg - 15.9Kg  
T-Nut: M8  
Color: Tan



## 7050-M8

Load Rating: 13.6Kg - 22.7Kg  
T-Nut: M8  
Color: Green



## 7080-M8

Load Rating: 20.4Kg - 36.3Kg  
T-Nut: M8  
Color: Yellow



## 7125-M8

Load Rating: 31.8Kg - 56.7Kg  
T-Nut: M8  
Color: Blue



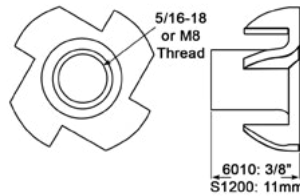
## 7225-M8

Load Rating: 56.7Kg - 102Kg  
T-Nut: M8  
Color: Orange



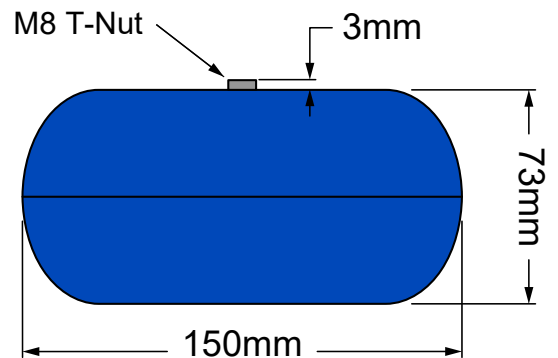
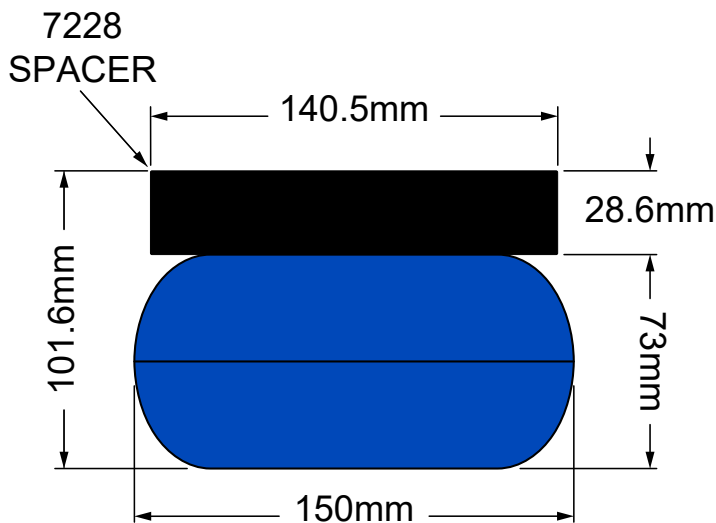
## 7228

Adds 28.6mm to the cushion's height and create a 102mm space



## Replacement T-Nuts

**S1200** - M8 Threaded



# WITHOUT T-NUT



## 7035-NT

Load Rating: 9.1Kg - 15.9Kg  
No T-Nut  
Color: Tan



## 7050-NT

Load Rating: 13.6Kg - 22.7Kg  
No T-Nut  
Color: Green



## 7080-NT

Load Rating: 20.4Kg - 36.3Kg  
No T-Nut  
Color: Yellow



## 7125-NT

Load Rating: 31.8Kg - 56.7Kg  
No T-Nut  
Color: Blue



## 7225-NT

Load Rating: 56.7Kg - 102Kg  
No T-Nut  
Color: Orange



## 7228

Adds 28.6mm to the cushion's height and create a 102mm space

