

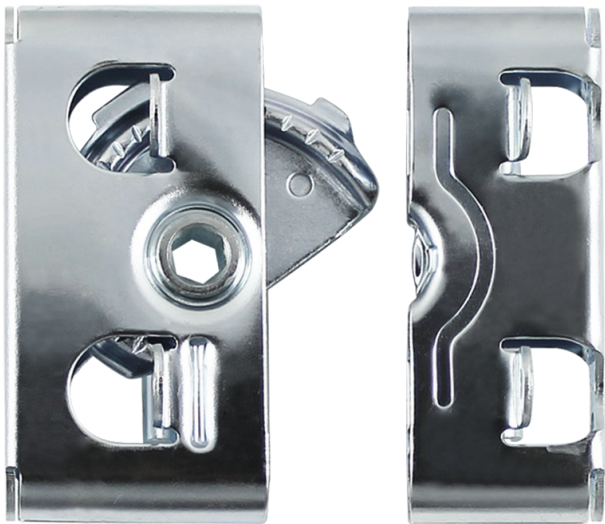


Discover our range of concealed locks

Our heavy-duty panel locks are ideal for platforms, decks or panels. Also called butt joints or coffin locks, they work by drawing the latch and receptacle components together when the hex wrench is turned (sold separately).

9280

Roto-Lock Style Concealed Panel Lock With Shallow Tabs



9280M

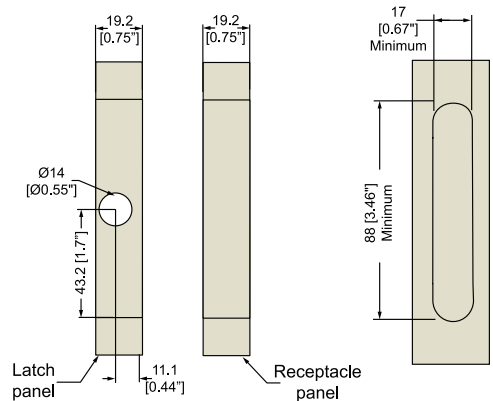
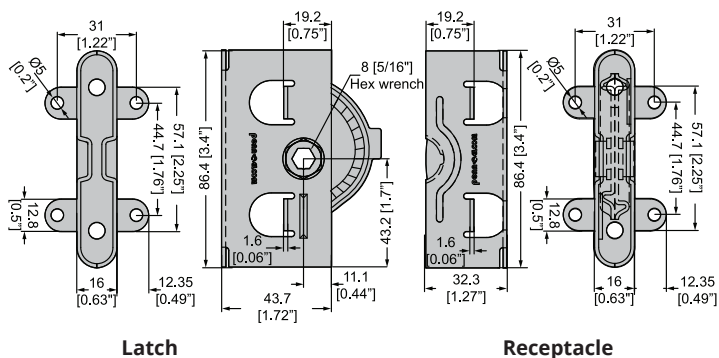
9280F

These concealed panel / door locks (also called butt joints or coffin locks) are used to lock panels, platforms or decks together. Their rotary lock progressively pull together and connect panels for quick assembly of structures. This allows the operator to compensate for building variation, manufacturing tolerances or gasket shrinkage.

The shallow tabs are perfect for use with thinner materials.

Mounting Style:	Shallow Tabs Mount or Rear Mount
Lock Style:	Rotary Lock
Material:	Zinc Plated Steel
Load Rating:	700Kg / 1543Lb
Accessories:	Actuation Tool (Part #9608)

Installation: 1/4" Dia. or M6 Screws / 1/4" Dia. Rivets (Not Supplied). A 1.6mm gap should be maintained between the latch and receptacle



9290

Roto-Lock Style Concealed Panel Lock With Deep Tabs



9290M

9290F

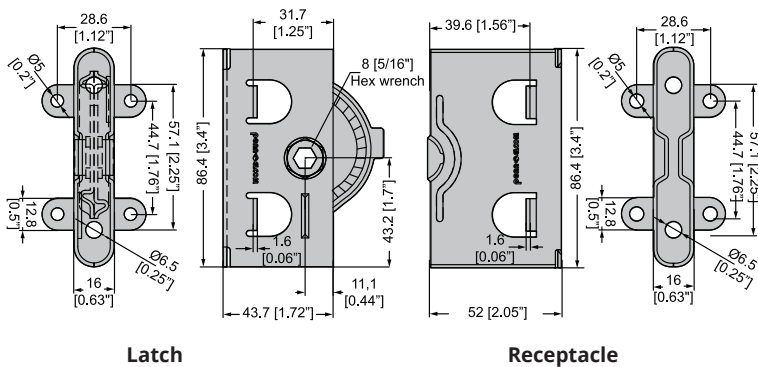
These concealed panel / door locks (also called butt joints or coffin locks) are used to lock panels, platforms or decks together.

Their rotary lock progressively pull together and connect panels for quick assembly of structures. This allows the operator to compensate for building variation, manufacturing tolerances or gasket shrinkage.

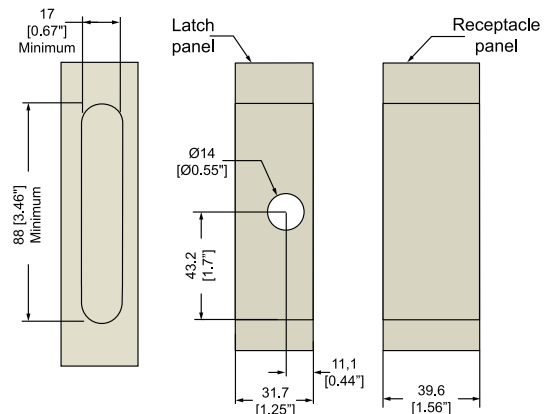
The deep tabs are perfect for use with thicker materials.

Mounting Style:	Deep Tabs Mount or Rear Mount
Lock Style:	Rotary Lock
Material:	Zinc Plated Steel
Load Rating:	500Kg / 11021Lb
Accessories:	Actuation Tool (Part #9608)

Installation: 5mm Dia. (.205) Rivets (Not Supplied) or M5 (N°10) Screws (Not Supplied)



Lock Drawing



Panel Installation

9284

Roto-Lock Style Concealed Panel Lock for Side or Mortise Mounting



9284M



9284F

These concealed panel / door locks (also called butt joints or coffin locks) are used to lock panels, platforms or decks together.

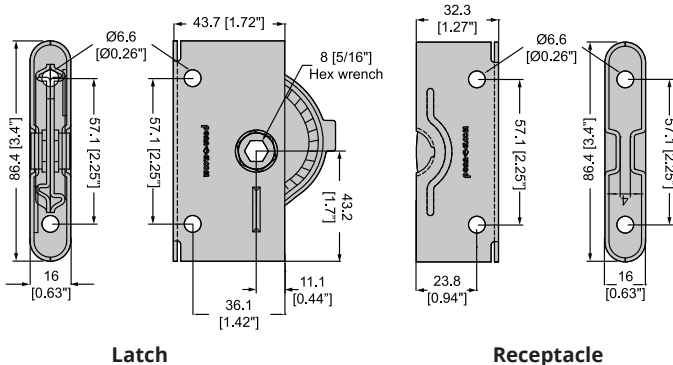
Their rotary lock progressively pull together and connect panels for quick assembly of structures. This allows the operator to compensate for building variation, manufacturing tolerances or gasket shrinkage.

For side mounting or mortise mounting.

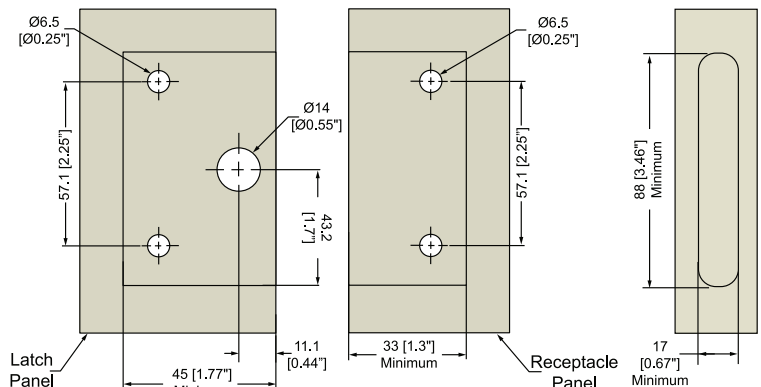
Mounting Style:	Mortise, Rear or Side Mount
Lock Style:	Rotary Lock
Material:	Zinc Plated Steel
Load Rating:	700Kg / 1543Lb
Accessories:	Actuation Tool (Part #9608)

Installation: 1/4" Dia. or M6 Screws / 1/4" Dia. Rivets (Not Supplied).

A 1.6mm gap should be maintained between the latch and receptacle



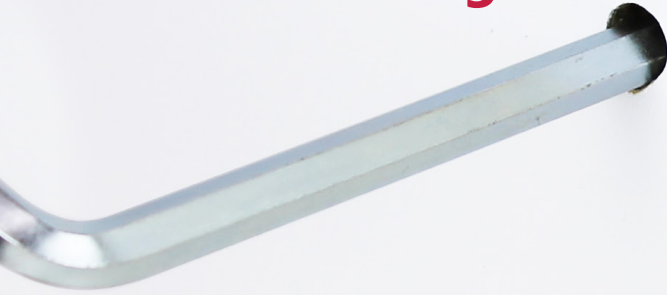
Lock Drawing



Panel Installation

9274

Dual-Lock Hook Style Concealed Panel Lock for Side or Mortise Mounting



9274M



9274F

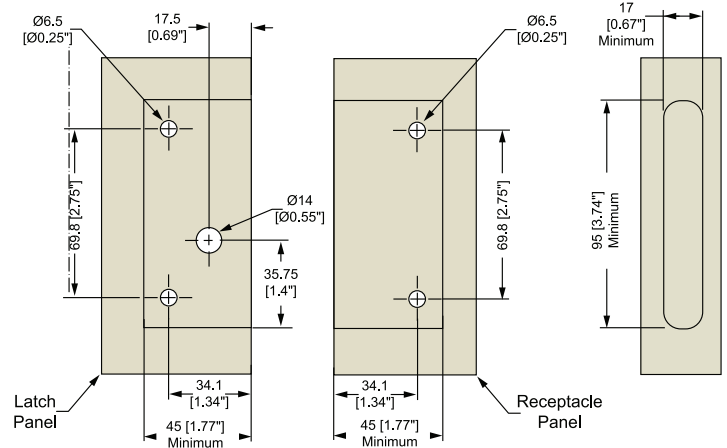
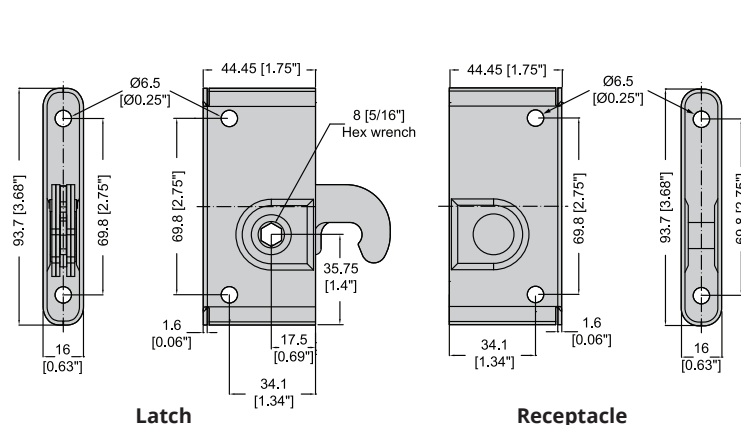
These concealed panel / door locks (also called butt joints or coffin locks) are used to lock panels, platforms or decks together.

Their Hook style lock offers maximum strength and security: it provides a strong closing pressure with minimal operating force and a great vibration and impact-resistant connection.

For side mounting or mortise mounting.

Mounting Style:	Mortise, Rear or Side Mount
Lock Style:	Hook Lock
Material:	Zinc Plated Steel
Load Rating:	1000Kg / 2204Lb
Accessories:	Actuation Tool (Part #9608)

Installation: 1/4" Dia., M6 Screws / 1/4" Dia. Rivets (Not Supplied)



9288

Roto-Lock Style Concealed Panel Lock for Front, Back or Mortise Mounting



9288M

9288F

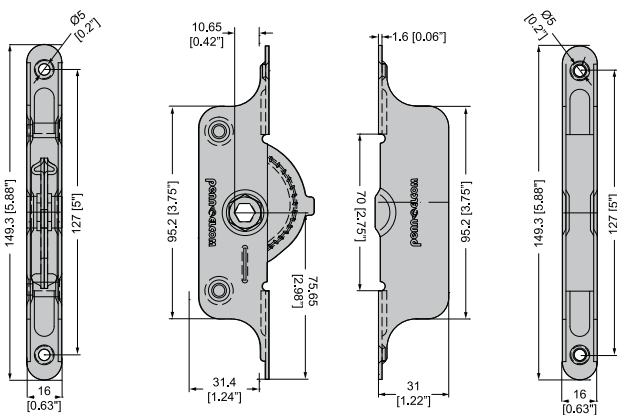
These concealed panel / door locks (also called butt joints or coffin locks) are used to lock panels, platforms or decks together.

Their rotary lock progressively pull together and connect panels for quick assembly of structures. This allows the operator to compensate for building variation, manufacturing tolerances or gasket shrinkage.

Low profile, perfect for use with thinner panels.

Mounting Style:	Front, Rear or Mortise Mount
Lock Style:	Rotary Lock
Material:	Zinc Plated Steel
Load Rating:	400Kg / 881Lb
Accessories:	Actuation Tool (Part #9608)

Wood Installation: M5 (N°10) Flat Head Screws (Not Supplied)
Metal Installation: M5 (N°10) Flat Head Screws (Not Supplied) or 5mm Dia. (.196) Flat Head Rivets (Not Supplied)

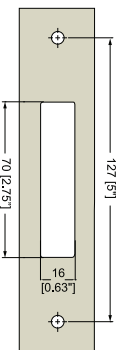


Latch

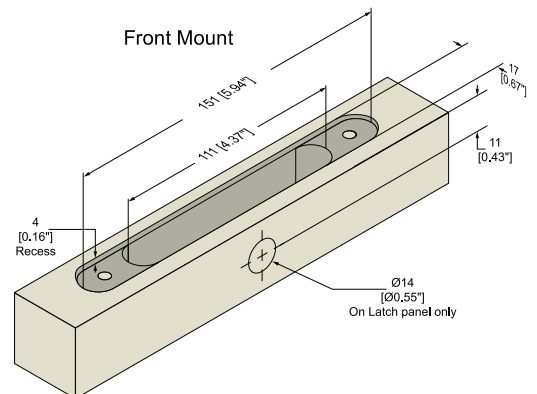
Lock Drawing

Receptacle

Rear Mount



Front Mount



Panel Installation