



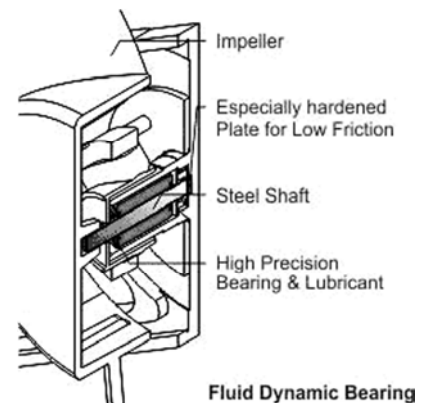
**NEW** Low noise 3U Heat Extraction Units are designed to be fitted into the front or back of a 19-inch rack to suck hot air out of an enclosure. As hot air rises the best results will be achieved by mounting them at the top of the cabinet.

A DC-DC link socket is provided, so two or more units can be linked together; a *higher power PSU* must be used.

Each extractor can also be controlled by a CRC-TEMP thermal sensor.

### Technical Specifications

- Low Noise **22.5dBA** (0.3 Sone)
- 112CFM (190m<sup>3</sup>/h) @1,800RPM
- High Static Pressure
- 2 x 5 Bladed 120mm Fans
- 12V DC - 1000mA
- 2 x DC In/Out Sockets
- Temperature Sensor Socket
- DC in/out sockets
- 500mA world wide universal PSU supplied
- Mounting Holes align with EMS enclosure range
- Dimensions (OD) 483mm x 133.4mm x 55mm (19" x 5¼" x 2¼")
- Combined Weight 1.5Kgs
- Fluid Bearings = 2 Year Limited Warrantee



The life span of these Swiss Designed fans has been extended with the use of a Japanese Dual Ball Bearing bush & fluid giving continuous operation 24/7 without compromise. Dust and high temperatures have less effect than standard bearings - the perfect choice for reliability. The fans life span is up to 5 times longer than comparative models.

**REGULAR MONTHLY CLEANING OF THE FAN BLADES TO REDUCE ANY DEPOSIT BUILD UP IS ADVISED  
USE A SMALL PAINT BRUSH DO NOT USE AN AIR BLOWER WITHOUT STOPPING THE BLADES**



## Thermal Control

A thermal sensor accessory, the **CRC-TEMP** can be Plugged into the TEMP socket. It is set to operate at 40° and will reset at 30°, + or - 2°.

Using the acrylic adhesive pad, it should be attached to an area where the sensor can pick up the ambient temperature of the equipment being cooled, and **NOT** directly to the main heat source.



**CRC-TEMP**

## Power Supply

The World Wide Universal PSU 12V DC 1000mA supply that is supplied to power these 2 Fans.



**penn & ELCOM®**

# Declaration of Conformity

The Manufacturer of the Products covered by this Declaration is



Made in the UK by Penn Elcom  
9-10 Parsons Road, Parsons Industrial Estate,  
Washington Tyne & Wear, NE37 1HB, UK

## The Directives covered by this Declaration

89/336/EEC Electromagnetic Compatibility directive, as amended  
73/23/EEC Low Voltage Equipment directive, amended by 93/68/EEC

## The Products Covered by this Declaration

**FP02-Q-3U**  
3U Heat Extractor Panel

## The Basis on which Conformity is being Declared

The manufacturer hereby declares under his sole responsibility that the products identified above comply with the protection requirements of the EMC directive and with the principal elements of the safety objectives of the Low Voltage Equipment directive, and that the following standards have been applied:

*All components used in this conform to current RoHS, CE & UL certification*

*(EMI:EN55022 (CISPR22) Class B; EN61000-3-2,3 EMS:EN61000-4-2,3,4,5,6,8,11; Light industry level, criteria A)*

The technical documentation required to demonstrate that the products meet the requirements of the Low Voltage Equipment directive has been compiled and is available for inspection by the relevant enforcement authorities.

**PLEASE NOTE: THIS DECLARATION DOES NOT INCLUDE, REFER, OR APPLY TO THE  
AC TO DC POWER ADAPTOR SUPPLIED WITH THIS PRODUCT.**

The CE mark was first applied in: 2016

The UKCA mark was applied in: 2023

Signed:

A handwritten signature in black ink, appearing to be "J. D. ...", written over a horizontal line.

**Authority:** Department Production Manager

**Date:** 08/12/23

## Attention!

The attention of the specifier, purchaser, installer, or user is drawn to special measures and limitations to use which must be observed when these products are taken into service to maintain compliance with the above directives. Details of these special measures and limitations to use are available on request and are also contained in the product manual.



Guangdong Keyway Testing Technology Co., Ltd. Tel : 86-769-8718 2258  
No.7 of Zhangmutou District, Guanzhang Road, Fax : 86-769-8718 1058  
Zhangmutou town, Dongguan Guangdong China. Mail : kwtest@Keywaytest.com

# Certificate of Conformity

No. CA21060132-E-000

**Applicant** : Shenzhen Tianqin Electronics Co., Ltd.  
**Address** : 3F Building A, Zaifeng Industrial Park, Xinhe Avenue,  
Gonghe Community, Shajing Street, Baoan District,  
Shenzhen  
**Trade Mark** : N/A  
**Product** : Switching Power Adapter  
**Model No.** : TQ-xyz, TQ-xyZ (x, y, z and Z are variables, refer to model  
list for details)  
**Rating** : Input : 100-240V~, 50/60Hz, 0.5A  
Output : 5.0-24.0Vdc, 0.01-5.0A  
**Report No.** : TR21060132-E-000

The submitted sample of the above equipment has been tested and found to comply with the following European Directive and the following standards:

- Electromagnetic directive 2014/30/EU
- Standards  
EN 55032:2015+A11:2020  
EN 55035:2017+A11:2020  
EN IEC 61000-3-2:2019  
EN 61000-3-3:2013+A1:2019

This certificate is part of the full test report(s) and should be read in conjunction with it. The referred test report(s) show that the product complies with standard(s) recognized as giving presumption of compliance with the essential requirements in the specified European Directive.

This certificate does not imply assessment of the production of the product.

The CE marking may be affixed if all relevant and effective European Directives are applicable.



Andy Gao  
Manager  
Date: Jun. 23, 2021

Without the written approval of Guangdong Keyway Testing Technology Co., Ltd., this certificate is not permitted to be reproduced, except in full. It is not permitted to use the test lab's logo.





Guangdong keyway Testing Technology Co., Ltd. Tel : 86-769-8718 2258  
No.7 of Zhangmutou District, Guanzhang Road, Fax : 86-769-8718 1058  
Zhangmutou town, Dongguan Guangdong China. Mail : kwtest@keywaytest.com

# Certificate of Conformity


No. CA21060145-E-000

**Applicant** : Shenzhen Tianqin Electronics Co., Ltd.  
**Address** : 3F Building A, Zaifeng Industrial Park, Xinhe Avenue,  
Gonghe Community, Shajing Street, Baoan District,  
Shenzhen  
**Trade Name** : N/A  
**Product** : Switching Power Adapter  
**Model No.** : TQ-xyz, TQ-xyZ (x, y, z and Z are variables, refer to model list for details)  
**Rating** : Input : 100-240V~, 50/60Hz, 0.5A  
Output : 5.0-24.0Vdc, 0.01-5.0A  
**Report No.** : TR21060145-E-000

The submitted sample of the above equipment has been tested and found to comply with the following Electromagnetic Compatibility Regulations 2016 and the following standards:

BS EN 55032:2015+A11:2020  
BS EN 55035:2017+A11:2020  
BS EN IEC 61000-3-2:2019  
BS EN 61000-3-3:2013+A1:2019

This certificate is part of the full test report(s) and should be read in conjunction with it. The referred test report(s) show that the product complies with standard(s) recognized as giving presumption of compliance with the essential requirements in the specified UK Regulations.

This certificate does not imply assessment of the production of the product.  
The  marking may be affixed if all relevant and effective UK Regulations are applicable.



Andy Gao  
Manager

Date: Jun. 23, 2021

Without the written approval of Guangdong keyway Testing Technology Co., Ltd., this certificate is not permitted to be reproduced, except in full. It is not permitted to use the test lab's logo.