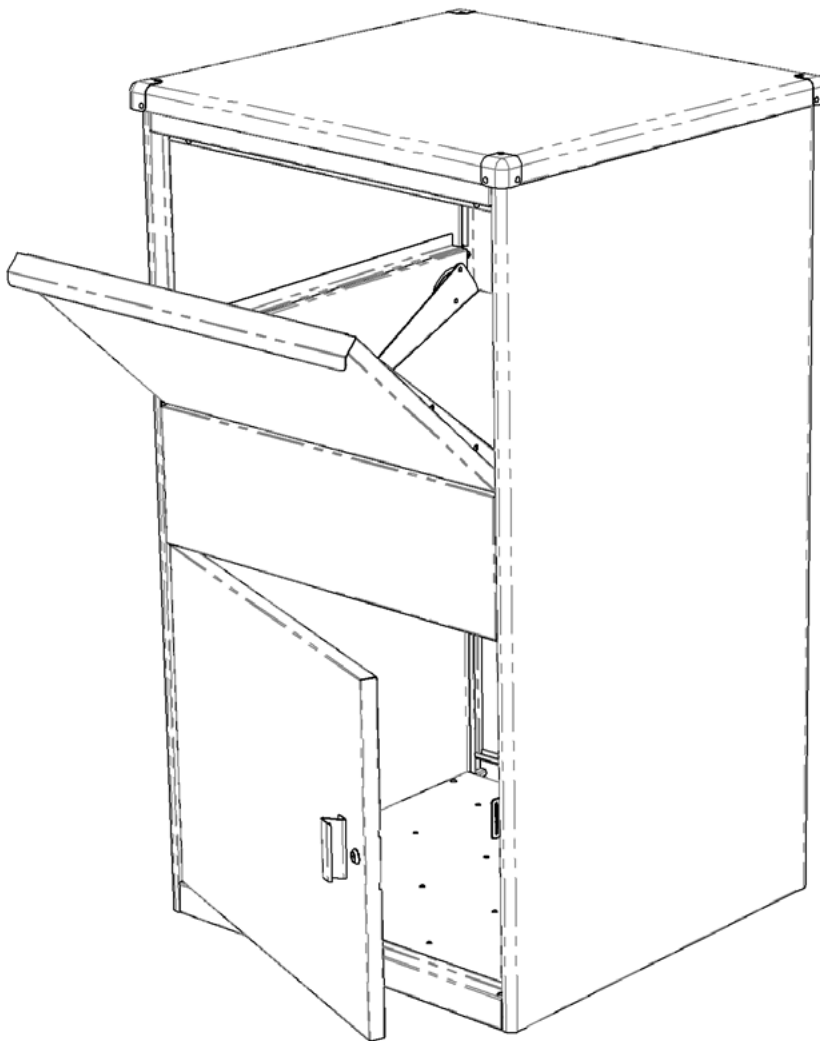


PENN PARCEL BOX INSTALLATION GUIDE

PBX Parcel Box

PBX should rest on a flat concrete floor or similar surface so it can be securely fixed down with the install kit provided.

An optional wall bracket is also supplied as support if you are unable to mount directly to the floor.

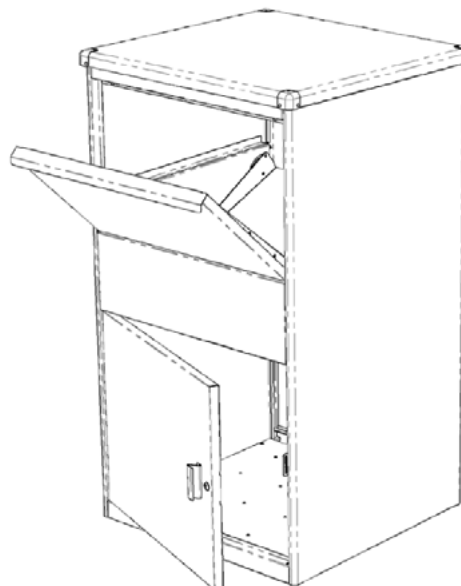


PENN PARCEL BOX INSTALLATION GUIDE

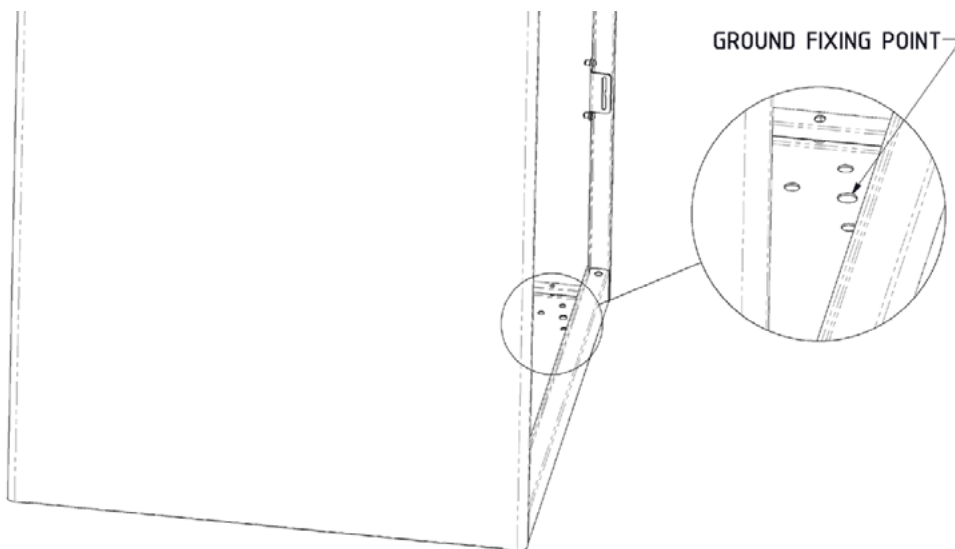
Secure Floor Mount

HOW TO ANCHOR PBX

To securely mount the PBX, we recommend a flat and solid surface, for example a concrete slab.



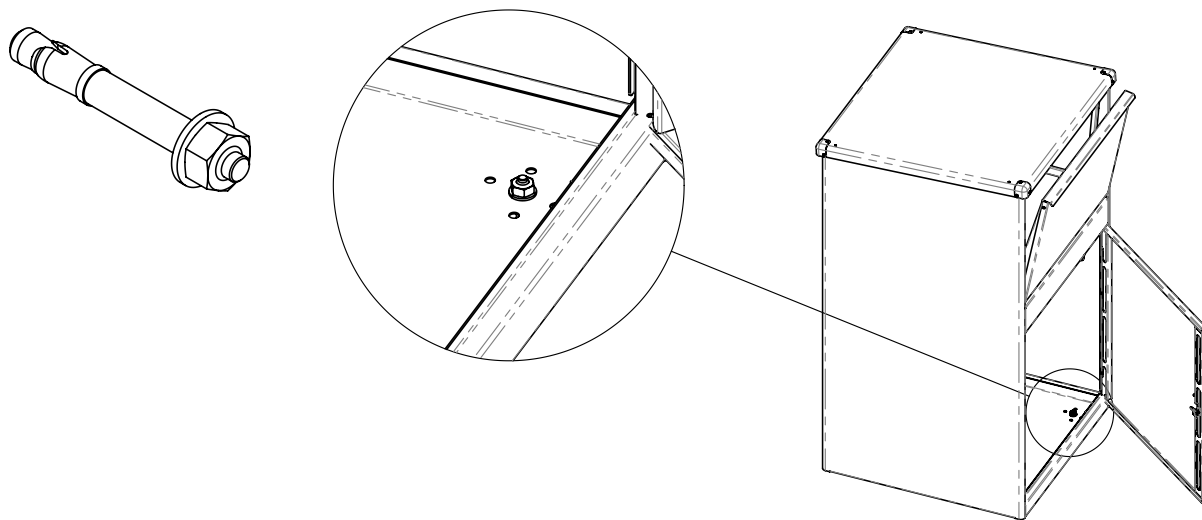
1. Place the PBX at your desired location
2. Remove the M5 screws securing the base cover (PBX1 = 4 Screws, PBX2 = 6 Screws), then remove base cover
3. Mark each of the four drill locations through the interior center fixing points
4. Remove the PBX



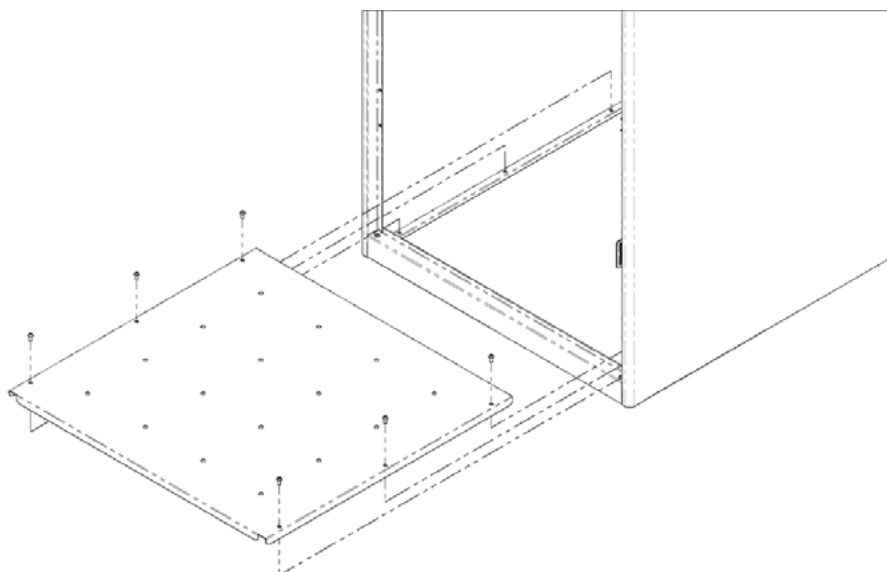
PENN PARCEL BOX INSTALLATION GUIDE

Secure Floor Mount

4. Use an 8mm (5/16") drill bit to create holes for the anchor bolts
5. Once the holes are drilled, return the PBX to position
6. Fix the PBX with 4 anchor bolts



7. Reinstall the base cover, using the M5 screws from Step 2



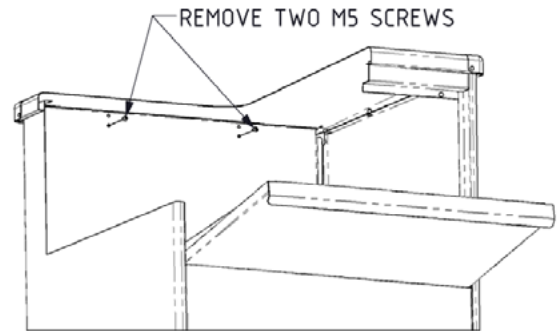
PENN PARCEL BOX INSTALLATION GUIDE

Wall Bracket Only

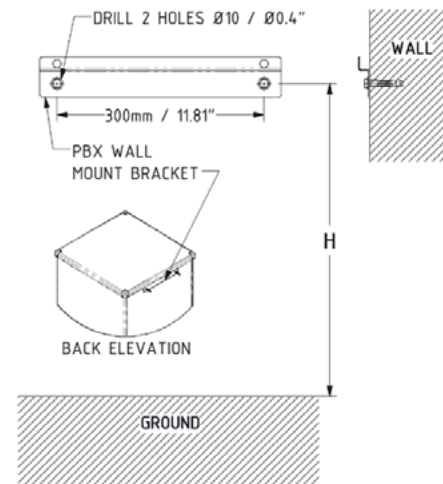
IMPORTANT:

Wall bracket is not load-bearing so always rest the PBX on the ground - do not hang.

1. Choose where the PBX will be placed and locate the wall bracket position. Then remove the 2 screws from inside the PBX
2. On the wall, mark each of the four drill locations (if also securing to the floor, mark the floor holes now as well - see floor guide)



3. Use an 10mm (3/8") drill bit to create 2 holes and insert the rawlplugs
4. Place the bracket over the rawlplugs and fix it with the washers and coach bolts
5. Lift the PBX over and down onto the bracket



PBX1: H (Height) = 955mm / 37.6"
PBX2: H (Height) = 1230mm / 48.44"

6. Take care to ensure the PBX now rests on the floor and is not elevated
7. Reinstall the 2 screws from step 1, ensuring they pass through the wall bracket

