



NEW quiet exhaust fan unit has been designed for fitting into flight case racks and enclosures; especially where the back is enclosed and the hot air is not being expelled. These type of situations invariably cause thermal failure, as any in-board fans are just recycling hot air.

Technical Specifications

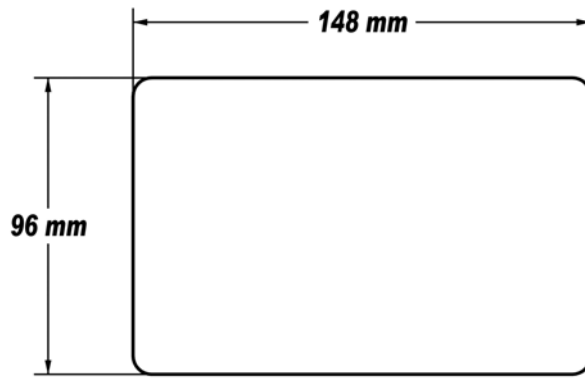
Low Noise **22.5dBA** (0.3 Sone)

- 28CFM (47.6m³/h) @2000 RPM
- High Static Pressure
- 1 x 9 Bladed 80mm (3.15") Fan
- 12V DC - 200mA
- 2 x DC In/Out Sockets

- Temperature Sensor Socket
- DC in/out sockets
- 500mA world wide universal PSU supplied
- Mounting Holes align with attached fitting template
- Dimensions (OD) 178 x 127 x 48mm (7" x 5" x 1 7/8")
- Combined Weight 400grams (14oz)
- Fluid Bearings = 2 Year Limited Warrantee



These exhaust fans are easily mounted into any style of flight case, using the same technique as fitting a socket or handle dish. They can be mounted in either horizontally or vertically.



PLEASE NOTE:

When positioning the cut out for the exhaust make sure there are no air flow restrictions, also there is plenty of space for the unit to fit and function

Once mounted just hook-up to the 12V DC PSU via the input socket.
A second unit can also be run from the 500mA power supply by using a **CRC-LINK** cable.



500mA -PSU

Thermal Control

A thermal sensor accessory, the **CRC-TEMP** can be Plugged into the TEMP socket. It is set to operate at 40° (104°) and will reset at 30° (86°) + or - 2°(36°).

Using the acrylic adhesive pad, it should be attached to an area where the sensor can pick up the **ambient temperature** of the equipment being cooled, and **NOT** directly to the main heat source.



CRC-TEMP

**REGULAR MONTHLY CLEANING OF THE FAN BLADES TO REDUCE ANY DEPOSIT BUILD UP IS ADVISED
USE A SMALL PAINT BRUSH DO NOT USE AN AIR BLOWER WITHOUT STOPPING THE BLADES**



**9-10 Parsons Road, Parsons Industrial Estate, Washington Tyne & Wear, NE37 1HB, UK
0191 416 1717 or www.penn-elcom.com**

© 2017 -FT80-Q-FC Flight Case Exhaust Unit is the exclusive design copyright of Penn-Elcom UK NE37 1HB - E&OE

Declaration of Conformity

The Manufacturer of the Products covered by this Declaration is

penn ELCOM[®]

Made in the UK by Penn Elcom
9-10 Parsons Road, Parsons Industrial Estate,
Washington Tyne & Wear, NE37 1HB, UK

The Directives covered by this Declaration

89/336/EEC Electromagnetic Compatibility directive, as amended
73/23/EEC Low Voltage Equipment directive, amended by 93/68/EEC

The Products Covered by this Declaration

FT80-Q-FC

FLIGHT CASE EXHAUST UNIT

The Basis on which Conformity is being Declared

The manufacturer hereby declares under his sole responsibility that the products identified above comply with the protection requirements of the EMC directive and with the principal elements of the safety objectives of the Low Voltage Equipment directive, and that the following standards have been applied:

*All components used in this conform to current RoHS, CE & UL certification
(EMI:EN55022 (CISPR22) Class B; EN61000-3-2,3 EMS:EN61000-4-2,3,4,5,6,8,11; Light industry level, criteria A)*

The technical documentation required to demonstrate that the products meet the requirements of the Low Voltage Equipment directive has been compiled and is available for inspection by the relevant enforcement authorities.

**PLEASE NOTE: THIS DECLARATION DOES NOT INCLUDE, REFER, OR APPLY TO THE
AC TO DC POWER ADAPTOR SUPPLIED WITH THIS PRODUCT.**

The CE mark was first applied in: 2016
The UKCA mark was first applied in: 2024

Signed:



Authority: Department Production Manager

Date: 23/06/2017

Attention!

The attention of the specifier, purchaser, installer, or user is drawn to special measures and limitations to use which must be observed when these products are taken into service to maintain compliance with the above directives. Details of these special measures and limitations to use are available on request and are also contained in the product manual.



Guangdong Keyway Testing Technology Co., Ltd. Tel : 86-769-8718 2258
No.7 of Zhangmutou District, Guanzhang Road, Fax : 86-769-8718 1058
Zhangmutou town, Dongguan Guangdong China. Mail : kwtest@Keywaytest.com

Certificate of Conformity

No. CA21060132-E-000

Applicant : Shenzhen Tianqin Electronics Co., Ltd.
Address : 3F Building A, Zaifeng Industrial Park, Xinhe Avenue,
Gonghe Community, Shajing Street, Baoan District,
Shenzhen
Trade Mark : N/A
Product : Switching Power Adapter
Model No. : TQ-xyz, TQ-xyZ (x, y, z and Z are variables, refer to model
list for details)
Rating : Input : 100-240V~, 50/60Hz, 0.5A
Output : 5.0-24.0Vdc, 0.01-5.0A
Report No. : TR21060132-E-000

The submitted sample of the above equipment has been tested and found to comply with the following European Directive and the following standards:

- Electromagnetic directive 2014/30/EU
- Standards
EN 55032:2015+A11:2020
EN 55035:2017+A11:2020
EN IEC 61000-3-2:2019
EN 61000-3-3:2013+A1:2019

This certificate is part of the full test report(s) and should be read in conjunction with it. The referred test report(s) show that the product complies with standard(s) recognized as giving presumption of compliance with the essential requirements in the specified European Directive.

This certificate does not imply assessment of the production of the product.

The CE marking may be affixed if all relevant and effective European Directives are applicable.



Andy Gao
Manager
Date: Jun. 23, 2021

Without the written approval of Guangdong Keyway Testing Technology Co., Ltd., this certificate is not permitted to be reproduced, except in full. It is not permitted to use the test lab's logo.



Guangdong keyway Testing Technology Co., Ltd. Tel : 86-769-8718 2258
No.7 of Zhangmutou District, Guanzhang Road, Fax : 86-769-8718 1058
Zhangmutou town, Dongguan Guangdong China. Mail : kwtest@keywaytest.com

Certificate of Conformity


No. CA21060145-E-000

Applicant : Shenzhen Tianqin Electronics Co., Ltd.
Address : 3F Building A, Zaifeng Industrial Park, Xinhe Avenue,
Gonghe Community, Shajing Street, Baoan District,
Shenzhen
Trade Name : N/A
Product : Switching Power Adapter
Model No. : TQ-xyz, TQ-xyZ (x, y, z and Z are variables, refer to model list for details)
Rating : Input : 100-240V~, 50/60Hz, 0.5A
Output : 5.0-24.0Vdc, 0.01-5.0A
Report No. : TR21060145-E-000

The submitted sample of the above equipment has been tested and found to comply with the following Electromagnetic Compatibility Regulations 2016 and the following standards:

BS EN 55032:2015+A11:2020
BS EN 55035:2017+A11:2020
BS EN IEC 61000-3-2:2019
BS EN 61000-3-3:2013+A1:2019

This certificate is part of the full test report(s) and should be read in conjunction with it. The referred test report(s) show that the product complies with standard(s) recognized as giving presumption of compliance with the essential requirements in the specified UK Regulations.

This certificate does not imply assessment of the production of the product.
The  marking may be affixed if all relevant and effective UK Regulations are applicable.

**UK
CA**



Andy Gao
Manager

Date: Jun. 23, 2021

Without the written approval of Guangdong keyway Testing Technology Co., Ltd., this certificate is not permitted to be reproduced, except in full. It is not permitted to use the test lab's logo.