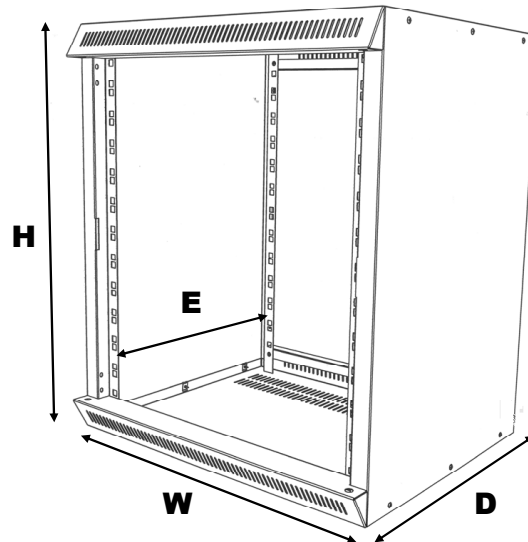


# PENN ELCOM SPEC SHEET

## Contractor Series



		Height (H)	Depth (D)	Mounting Depth (E)	Width (W)
<b>WMR Wall Mount Rack Enclosures</b>					
WMR06C	6U	308mm / 12.12"	250mm / 9.84"	3 Available Positions: 185mm / 7.3", 195mm / 7.7" or 205mm / 8"	543mm / 21.38"
WMR08C	8U	397mm / 15.63"			
WMR12C	12U	634mm / 24.96"			
WMR06-300	6U	308mm / 12.12"	300mm / 11.81"	3 Available Positions: 235mm / 9.25", 245mm / 9.65" or 255mm / 10"	543mm / 21.38"
WMR08-300	8U	397mm / 15.63"			
WMR12-300	12U	634mm / 24.96"			
WMR16-300	16U	814mm / 32.05"			
<b>Bench Top Racks</b>					
R02C	2U	138mm / 5.43"	453mm / 17.83"	385mm / 15.16"	543mm / 21.38"
R04C	4U	219mm / 8.62"			
R06C	6U	308mm / 12.12"			
R08C	8U	397mm / 15.63"			
<b>457mm / 17.99" Deep Rack Enclosures</b>					
R12C	12U	634mm / 24.96"	457mm / 17.99"	385mm / 15.16"	543mm / 21.38"
R16C	16U	814mm / 32.05"			
R20C	20U	991mm / 39.01"			
R24C	24U	1169mm / 46.02"			
R28C	28U	1347mm / 53.03"			
R32C	32U	1525mm / 60.04"			
R35C	35U	1658mm / 65.27"			
<b>600mm / 23.62" Deep Rack Enclosures</b>					
R12C600	12U	634mm / 24.96"	600mm / 23.62"	550mm / 21.65"	543mm / 21.38"
R16C600	16U	814mm / 32.05"			
R20C600	20U	991mm / 39.01"			
R24C600	24U	1169mm / 46.02"			
R28C600	28U	1347mm / 53.03"			
R32C600	32U	1525mm / 60.04"			
R35C600	35U	1658mm / 65.27"			

Version 2.0 - April 13, 2020